

# MIXPAC DMA Dual Dispensers

## 50/75mL Cartridge Dispenser for A and B System

### Cartridge Support

Flap designed for maximum cartridge support and for easy cartridge exchange

### Applications



Bonding



Sealing



Repair



Release Button  
Easily accessible  
with one hand

### Trigger

Dual drive to ensure even high viscosity materials maintain their mixing ratio

Ergonomic Handle  
For maximum comfort


### Features

- Exchangeable plunger system
- Allotted surface for logo
- Ergonomically designed

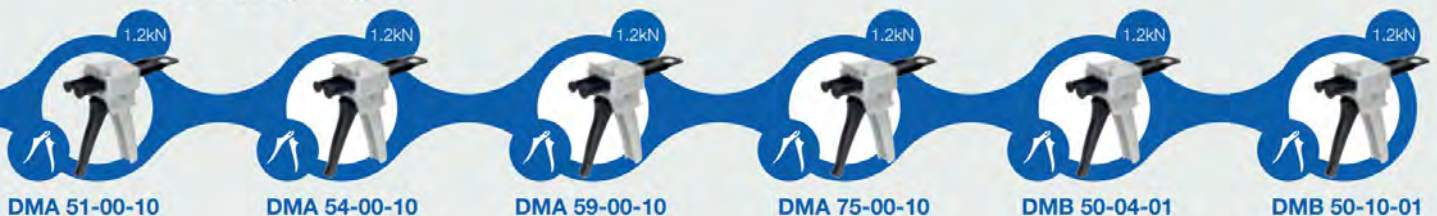
### Benefits

- Can be quickly converted into all 50mL and 75mL ratios for A and B systems
- The tool can be customised
- For comfortable and long working times

High quality trigger assembly for use with industry standard dual component cartridges. Lightweight, robust and simple to use. Simple cartridge loading mechanism. Easy to clean materials. Spares available below.

Name/Description	ID	Article number	Compatible with
 <b>Plunger</b> for DS Dispensers	103160	PLS 053-01	<b>DS</b>
	113018	PLS 051-04	
	100385	PLS 051-10	
	113559	PLS 077-01	
	115587	PLS 075-10	

### Product by range



# MIXPAC DMA Dual Dispensers

## 50/75mL Cartridge Dispenser for A and B System

The MIXPAC DMA/DMB is a manual lightweight and sturdy 2-component dispenser designed for easy handling and precise dispensing.

### Specifications

Weight 184g / 0.41lbs

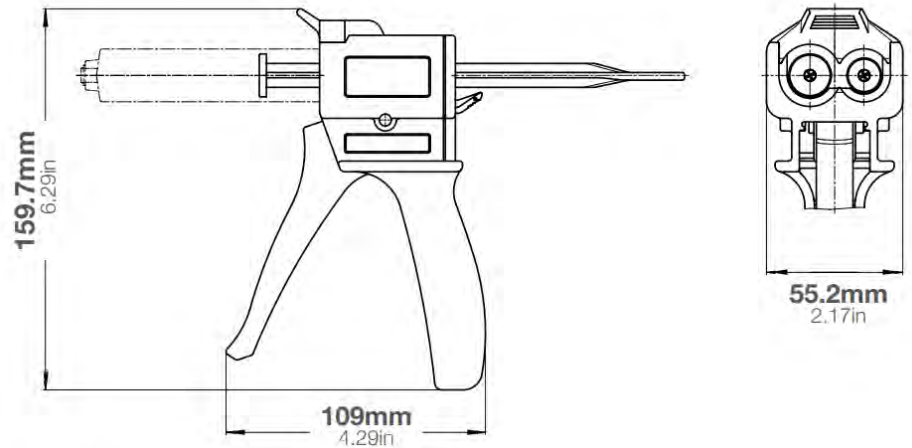
Length: 109mm / 4.3in

Tool material: PP & reinforced nylon

Cartridge capacity: 50/75mL

Cartridge ratio: 1:1/2:1/4:1/10:1

### Dimensions



Part number:	Article number:	Ratio			
		1:1	2:1	4:1	10:1
DMA 51-00-10	101875	✓	✓		
DMA 54-00-10	101883	✓	✓	✓	
DMA 59-00-10	112790	✓	✓		✓
DMA 75-00-10	111746	✓			
DMB 50-04-01	116795			✓	
DMB 50-10-01	116794				✓

### Packaging:

Packed individually or 64 units per master carton (50ml)

Packed individually or 32 units per master carton (75ml)



## Matching MIXPAC™ side by side cartridges

### A-System



**A-System**  
50mL / 1:1 PP/PA



**A-System**  
50mL / 2:1 PP/PA



**A-System**  
50mL / 4:1 PP/PA



**A-System**  
50mL / 10:1 PP/PA/PBT



**A-System**  
75mL / 1:1 PP

### B-System



**B-System**  
50mL / 1:1 PP/PA/PBT



**B-System**  
50mL / 2:1 PP/PA



**B-System**  
50mL / 4:1 PP/PBT



**B-System**  
50mL / 10:1 PP/PBT

## HOW TO ORDER

Simply quote our part number, quantity required, your order number or reference and delivery address - it couldn't be easier.

1

BY TELEPHONE:  
01908 686660

2

BY FAX:  
01908 686836

3

FROM OUR WEBSITE:  
[adhesivedispensers.co.uk](http://adhesivedispensers.co.uk)

4

BY EMAIL:  
[orders@adhesivedispensers.co.uk](mailto:orders@adhesivedispensers.co.uk)

### HOURS OF BUSINESS

MONDAY TO FRIDAY 9AM TO 5.30PM

### Reasons to use our dispensing components

- Industrial grade** - certified safe for use to 100 psi. Will not break when in use under pneumatic or mechanical pressure.
- Certified Silicone-Free**. Our components will not contaminate fluids placed when in use including specialist adhesives.
- Burr-free**. All blunt tips are electro-polished and produced to a high precision finish.
- Widest range** - we stock millions of parts in many different styles and an extensive range of cartridges, nozzles, mixers.
- Fast lead times**. Most products are held in stock and available within days not weeks.
- Boxed** - most of our tips are supplied in sealed boxes for easy identification and protection against contamination.
- Batch codes** - all labelled with batch codes for traceability.
- Expert support**. We recommend our products to ensure our customers receive the right solution for their application.



© 2020 Adhesive Dispensing Ltd Ref. AD-14820-1

## HOW TO PAY

We are happy to accept payment by the following methods:

### CREDIT CARD

Please quote your card number, start and expiry dates and security digits together with your name, address and delivery address.



### CHEQUE

Cheques for collection must be supported by a valid bank guarantee card.

### ACCOUNT

Accounts may be opened within 4 hours, subject to status, following receipt of a completed account application form. Please contact our Accounts Department direct on **01908 686663** for further details.

**PRICES GIVEN ARE IN POUNDS STERLING AND MAY BE SUBJECT TO CHANGE**

### ALL PRICES ARE SUBJECT TO VAT

Standard Terms and Conditions apply

### GOODS COLLECTION

Pre-ordered goods can be collected from our Milton Keynes warehouse facility by arrangement only.



### Overseas Delivery Charges

We ship goods into Europe, North and South America, Asia, Middle East, Australia and Africa. We use UPS, FedEx, DHL and Postal Services. Please contact us for specific pricing and options for all overseas shipping.

Visit our growing customer tech knowledge site for more product information, data sheets, videos and advice.

[https://www.adhesivedispensing.net/kb\\_results.asp](https://www.adhesivedispensing.net/kb_results.asp)

Adhesive Dispensing Ltd  
Unit 55 Alston Drive  
Bradwell Abbey, Milton Keynes  
Buckinghamshire, MK13 9HB, UK

Tel. +44 (0) 1908 686660

Fax. +44 (0) 1908 686836

[info@adhesivedispensers.co.uk](mailto:info@adhesivedispensers.co.uk)

<https://www.adhesivedispensers.co.uk>

