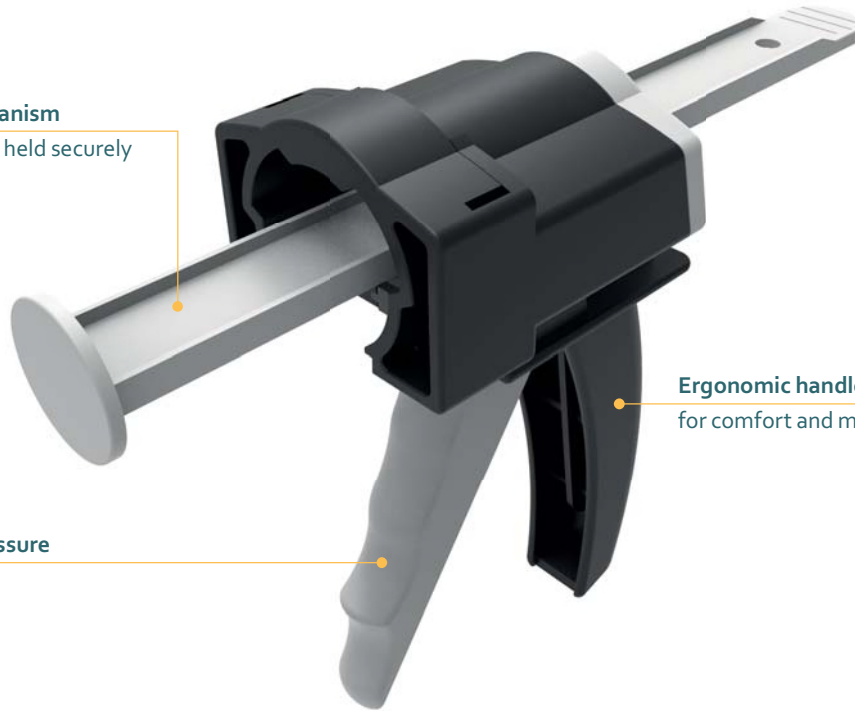


MPD32/55

30cc / 55cc Syringe Barrel Dispenser

Simple loading mechanism
ensures cartridges are held securely



Ergonomic handle and trigger provide
for comfort and minimum fatigue

Minimum trigger pressure
for effortless use

Model shown: MPD32

FEATURES

- Engineered to provide high thrust
- Minimum trigger pressure for flow
- Ergonomic handle and trigger
- Simple breach loading mechanism

BENEFITS

- Easy comfortable operation
- For effortless use
- For minimum fatigue
- Ensures barrels are held securely

APPLICATIONS



Bonding



Crack Repair



Sealing

PRODUCT BY RANGE



MPD32 3



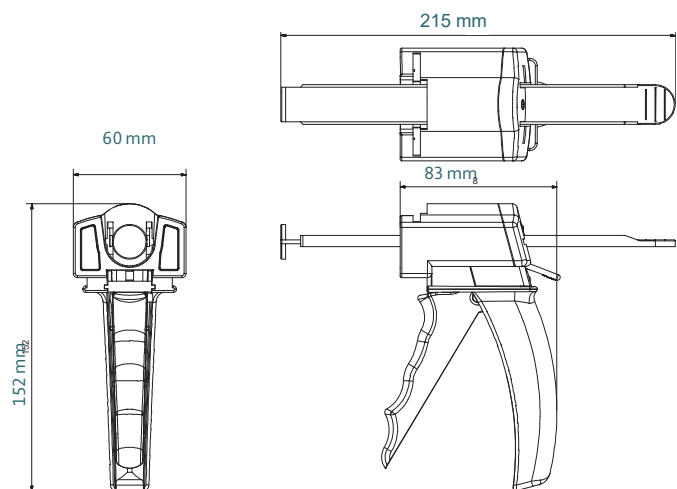
MPD 100

THE MPD MANUAL SYRINGE BARREL DISPENSER IS DESIGNED TO PROVIDE HIGH THRUST WITH MINIMUM TRIGGER PRESSURE. THE SIMPLE LOADING MECHANISM ENSURE BARRELS ARE HELD IN PLACE SECURELY WITHOUT EXCESSIVE MOVEMENT. THESE DISPENSER GUNS PROVIDE HIGHER LEVELS OF THRUST FORCE.

SPECIFICATIONS

- Weight: 0.2kg
- Frame Length: 215mm
- Maximum Thrust: 2.5kN (250kg)
- Handle Material: Glass Filled Nylon
- Frame Material: Glass Filled Nylon
- Barrel Capacity: 30 cc, 55 cc
- Mechanical Advantage Ratio: 16:1
- Viscosity: Low/Medium
- Standard Colour: Grey/ Black
- Customized Versions: Yes

DIMENSIONS

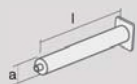


Part number	Article number	Packaging
MPD32/55	178299	1 per Box

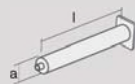
MATCHING ADL SYRINGE BARRELS

– AD930-N, AD955-N, ADV830BN, ADV855BN, 7300LL1NPK, 7550LL1NPK

Other similar type 30cc and 55cc syringe barrels will be compatible.

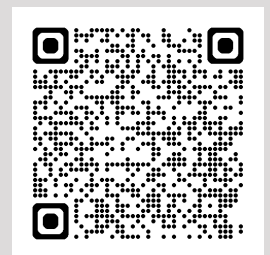


Plastic Barrel
30cc HDPP



Plastic Barrel
55cc HDPP

	mm	inch		mm	inch
l	118	4.66	l	176	6.93
a	Ø 23	Ø 1.00	a	Ø 23	Ø 1.00



Adhesive Dispensing Ltd
14 Clarke Road
Milton Keynes
Buckinghamshire, MK1 1LG, UK
Tel. +44 (0) 1908 686660
Fax. +44 (0) 1908 686836
info@adhesivedispensers.co.uk
www.adhesivedispensing.co.uk