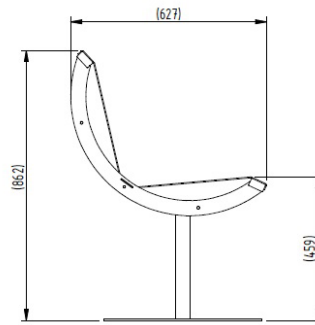
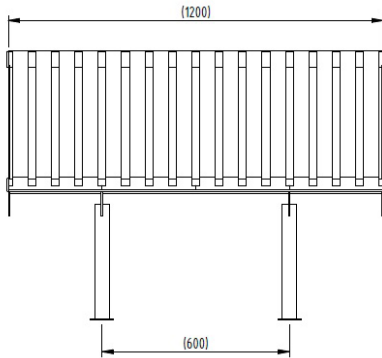




Easton Seat 1200mm Galvanised, Galvanised & Colour or Stainless



Sleek and stylish, the Easton Seat from AUTOPA is ideal for busy public areas. The AUTOPA Easton Seat has been designed to withstand the toughest conditions and to look good for years with only minimal maintenance.

The Easton Seat is supplied in galvanised mild steel, or stainless steel. Galvanised and powder coated is an optional extra (RAL number must be stated at time of order).

Available concrete in or bolt down.



<u>Part Number</u>	<u>Description</u>	<u>Weight (kg)</u>
138 117 077R	Easton Seat, Galvanised - Concrete In	38kg
138 117 078R	Easton Seat, Galvanised & Colour - Concrete In	38kg
138 117 079R	Easton Seat, Stainless Steel Grade 304 - Concrete In	39kg
138 117 077	Easton Seat, Galvanised - Bolt Down	38kg
138 117 078	Easton Seat, Galvanised & Colour - Bolt Down	38kg
138 117 079	Easton Seat, Stainless Steel Grade 304 - Bolt Down	39kg

Product details

- 1200mm x 627mm (length x width)
- 459mm (seat height)
- Galvanised/galvanised & coated finish complete with plastic end caps
- Concrete in 300mm (below ground)
- Flange plate – 500mm x 75mm x 5mm
- Each bench requires 8 x 12mm bolts

Installation & use

Supplied fully welded for easy installation on site.

Bolt down versions require bolting to an appropriate concrete surface by means of 12mm bolts.

Concrete in versions require an excavated hole for installation.

Clean off any concrete splashes after installation. Always allow sufficient time for concrete to cure before usage.

These products are guaranteed for 12 months (if installed and used correctly).



www.autopa.co.uk
+44 (0)1788 550556

AUTOPA Limited
Cottage Leap, Rugby, Warwickshire CV21 3XP

