



Cable frame with brush

- ▶ Brush frame for pre and non-terminated cables
- ▶ Tidy and cost effective solution
- ▶ Available in three sizes (24, 16 and 10)



1

The DES Z series enables multiple cables and connector sizes to be accommodated.

Effective protection against dust and debris.

Technical data

Material: PP+GF

Flammability: self-extinguishing acc. to UL94-V0

Temperature: -40°C... +155°C (static)

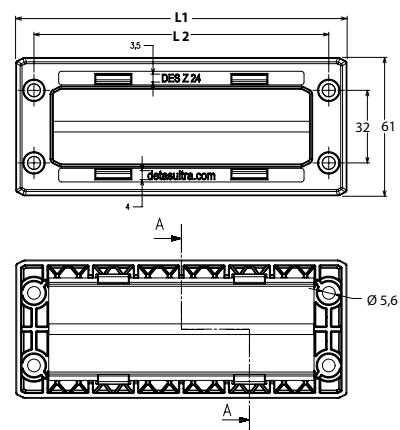
Features: halogen and silicone free

Prodotti correlati

Hydraulic punch driver HY360

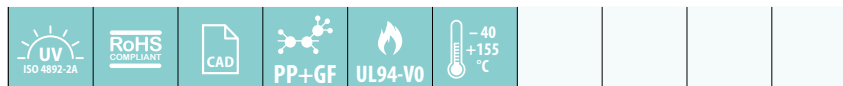
Model	Code	Dimensions [mm]		Pcs /pack
		L1	L 2	
DES Z 24	1731060024	146	130	
DES Z 16	1731060016	120	103	10
DES Z 10	1731060010	99	83	
Upon request:	1731991020	Set of 4 mounting screws in AISI304 with Black Dacromet finishing		10

Dimensions [mm]



DES Z

SECTION A-A





Model	Code	Dimensions [mm]		Pcs /pack
		L1	L2	
DES ZZ 24	1731060224	146	130	10
DES ZZ 16	1731060216	120	103	
DES ZZ 10	1731060210	99	83	
DES ZZ Q	1731060208	74	58	
DES ZZ L5	1731060205	146	130	
DES ZZ L4	1731060204	120	103	
DES ZZ L3	1731060203	99	83	
DES ZZ L2	1731060202	74	58	

Upon request:	1731991020	Set of 4 mounting screws in AISI304 with Black Dacromet finishing	10
---------------	------------	---	----

Splittable frame with double brush

- ▶ Brush frame for pre and non-terminated cables
- ▶ Double frame offering increased dust protection
- ▶ 8 different models (24, 16, 10, Q, L5, L4, L3 and L2))



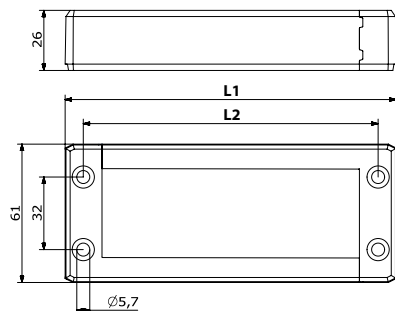
1

The DES ZZ is a splittable frame with 2 rows of brushes providing increased protection against dust and debris.

Multiple cables and connector sizes can be accommodated.



Dimensions [mm]



DES ZZ

Technical data

Material: PP+GF

Flammability: self-extinguishing acc. to UL94-V0

Temperature: -40°C... +155°C (static)

Features: halogen and silicone free

Prodotti correlati

Flap frame

Hydraulic punch driver HY360





Splittable frame and locknut with double brush

- ▶ Double brush frame for pre and non-terminated cables
- ▶ Frame screws in AISI304 with Black Dacromet finishing
- ▶ Metric threads M32 and M63



1



DESPRED ZZ consists of a square frame with two rows of brushes.

Excellent protection is offered against dust and debris.

Technical data

Material: PP+GF

Flammability: self-extinguishing acc. to UL94-V0

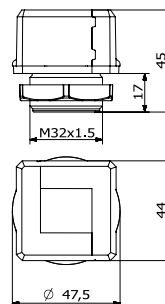
Temperature: -40°C... +155°C (static)

Features: halogen and silicone free

Model	Code	Metric thread	Pcs /pack
DESPRED ZZ 32	1731060232	M32 x 1.5	10
DESPRED ZZ 63	1731060263	M63 x 1.5	10

Dimensions [mm]

DESPRED ZZ 32



DESPRED ZZ 63

