



## Mounting Form Table

**K830  
315 A**

### Section

<b>Front Mounting Switches</b>	<b>A</b>
<b>Base Mounting Switches</b>	<b>B</b>
<b>Enclosed Switches</b>	<b>C</b>
<b>Accessories</b>	<b>D</b>

Sälzer Electric GmbH  
Clemens-Pfau-Platz 27  
09306 Rochlitz  
[www.saelzer.com](http://www.saelzer.com)

Headquarters:  
+49 (0) 37 37 / 87-280  
[sales@salzer.de](mailto:sales@salzer.de)

---

**Originator: Sälzer Electric GmbH · Product Data Management (PDM) · 09306 Rochlitz (Germany)**  
Copyright reserved by Sälzer Electric GmbH. This document replaces all previous issues.  
Valid until a new version is published. Changes and revisions reserved.

# Mounting Form Table

Mtg. form	Pages	Mtg. form	Pages	Mtg. form	Pages	Mtg. form	Pages
003G1	A1-1 (4)	042H1	B1-3 (10)	187H1	C2-1 (17)	TCA8	D1-1 (22)
003H1	A1-2 (5)	043H1	B1-3 (10)	187H4	C2-1 (17)		
004H1	A1-2 (5)	077H1	C1-1 (14)	286H1	C2-4 (20)		
033H1	A1-3 (6)	077H4	C1-1 (14)	287H1	C2-3 (19)		
033H4	A1-3 (6)	176H1	C1-3 (16)	287H4	C2-3 (19)		
034H1	B1-1 (8)	177H1	C1-2 (15)	483H1	B2-1 (11)		
034H4	B1-1 (8)	177H4	C1-2 (15)	483H4	B2-1 (11)		
042G1	B1-2 (9)	186H1	C2-2 (18)	484H1	B2-2 (12)		



## Section A

Page  
from to

**Four hole mounting**

**A1-1**

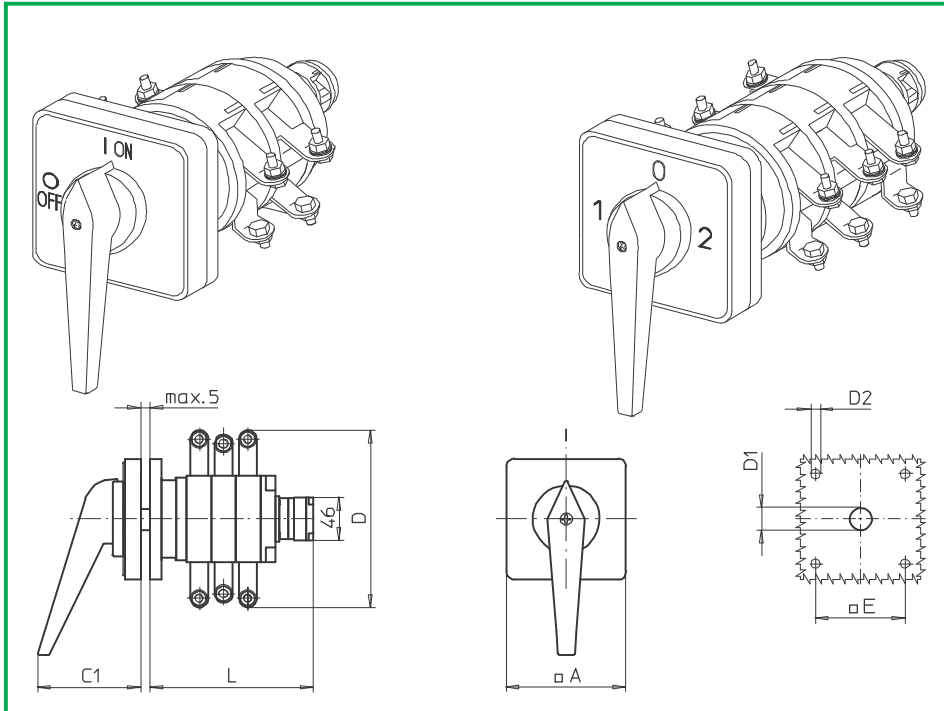
**A1-3**

---

**Originator: Sälzer Electric GmbH · Product Data Management (PDM) · 09306 Rochlitz (Germany)**  
Copyright reserved by Sälzer Electric GmbH. This document replaces all previous issues.  
Valid until a new version is published. Changes and revisions reserved.

# Front Mounting Switches

# sälzer



**Product line  
K830**

**Front mounting switch**

**Four hole mounting**  
104 x 104 mm

**003G1 (IP55)**

Complete Switch	Poles	Product lines	Rated Data (IEC 60947)			Order Code Number
			Operational current I <sub>e</sub>	Operational power at 380–440V		
			AC-21A A	AC-23A kW	AC-3 kW	
ON-OFF Switches Switching angle 90° Starting position of the handle 09h	3 ... 8	K830	315	132	55	<b>K830 - 41 ... - 003G1</b>
Changeover with OFF Switching angle 90° Starting position of the handle 12h	3 ... 4	K830	315	132	55	<b>K830 - 71 ... - 003G1</b>

SMD modules for basic switch	(GA A01)		
Mounting form module for 003G1		K830	<b>BFA8 - 003</b>
G-operator module 130 x 130 mm, mounting form 003G1 Escutcheon black, handle black, Starting position of the handle 09h			<b>8AG1</b>
G-operator module 130 x 130 mm, mounting form 003G1 Escutcheon black, handle black, Starting position of the handle 12h			<b>8BG1</b>
Legend plate silver, operator module 003G1			<b>FAS8 - .... (FA number)</b>

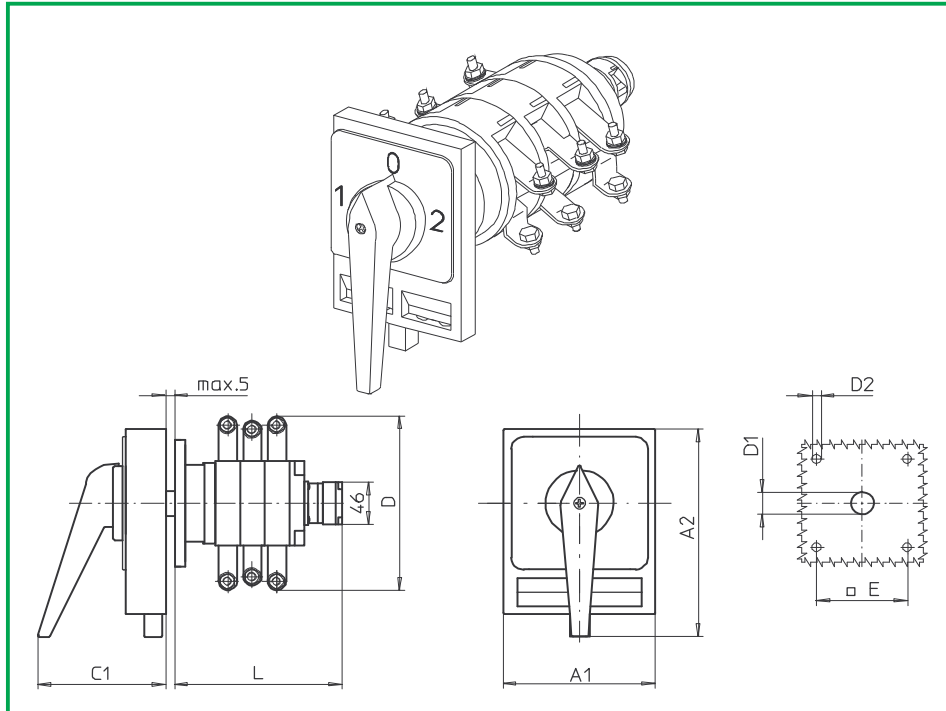
Dimensions (mm)						
Product line	A	C1	D*	D1	D2	E
K830	130	74	210	20	5,5	104
Switching programmes <sup>1)</sup>						
Dimension L	ON-OFF Switches		Changeover Switches			
125	41300, 41400		-			
161	41600		71300			
163	41311, 41320, 41411, 41420		-			
197	41800		71400			
199	41611, 41620		71311, 71320			

\* Terminal lugs included

<sup>1)</sup> Examples, other switching programmes on request

# Front Mounting Switches

# sälzer



**Product line**  
**K830**

**Front mounting switch**

**Four hole mounting**  
 104 x 104 mm

**003H1 (IP55)**  
**004H1 (IP55)**

Complete Switch	Poles	Product lines	Rated Data (IEC 60947)			Order Code Number
			Operational current I <sub>e</sub>	Operational power at 380–440V		
			AC-21A A	AC-23A kW	AC-3 kW	
Changeover with OFF Switching angle 90° OFF position padlockable 12h	3 ... 4	K830	315	132	55	<b>K830 - 71 ... - 003H1</b>
Changeover with OFF Switching angle 90° 3 positions padlockable (09h/12h/03h)	3 ... 4	K830	315	132	55	<b>K830 - 71 ... - 004H1</b>

SMD modules for basic switch	(GA A01)		
Mounting form module for 003H1/ 004H1		K830	<b>BFA8 - 003</b>
H-operator module 130 x 160 mm, mounting form 003H1 Padlock device black, H-handle black			<b>8BH1 - 12</b>
H-operator module 130 x 160 mm, mounting form 004H1 Padlock device black, H-handle black			<b>8BH1 - 99</b>
Legend plate silver, operator module 003H1/ 004H1			<b>FAS8 - .... (FA number)</b>

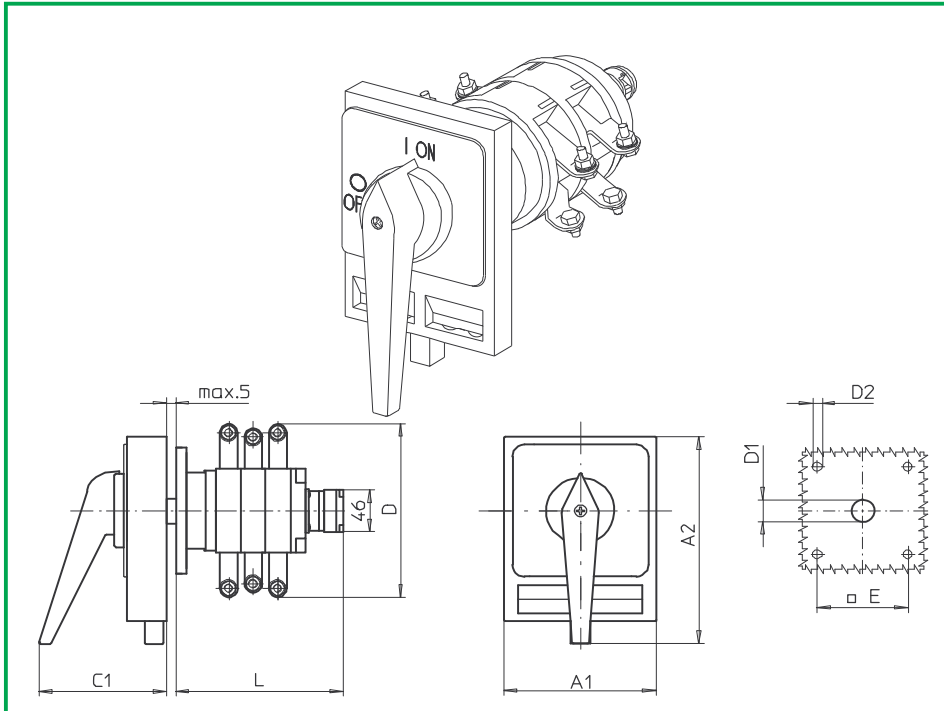
Dimensions (mm)							
Product line	A1	A2	C1	D*	D1	D2	E
K830	130	178	93	210	20	5,5	104

Switching programmes <sup>1)</sup>	
Dimension L	Changeover Switches
161	71300
197	71400
209	71311, 71320

\* Terminal lugs included  
<sup>1)</sup> Examples, other switching programmes on request

# Front Mounting Switches

# sälzer



**Product line  
K830**

**Front mounting switch**

**Four hole mounting**  
104 x 104 mm

**033H1 (IP55 front)**

**033H4 (IP55 front)**

Complete Switch	Poles	Product lines	Rated Data (IEC 60947)			Order Code Number
			Operational current I <sub>e</sub>	Operational power at 380–440V		
			AC-21A A	AC-23A kW	AC-3 kW	
Main Switches Switching angle 90° OFF position padlockable 09h	3 ... 8	K830	315	132	55	<b>K830 - 41 ... - 033H1</b>
Main/Emergency-Off Switches Switching angle 90° OFF position padlockable 09h	3 ... 8	K830	315	132	55	<b>K830 - 41 ... - 033H4</b>

SMD modules for basic switch	(GA A01)		
Mounting form module for 033H.		K830	<b>BFA8 - 003</b>
H-operator module 130 x 160 mm, mounting form 033H1 Padlock device black, H-handle black			<b>8AH1 - 09</b>
H-operator module 130 x 160 mm, mounting form 033H4 Padlock device black, H-handle red			<b>8AH4 - 09</b>
Legend plate silver, operator module 033H1			<b>FAS8 - .... (FA number)</b>
Legend plate yellow, operator module 033H4			<b>FBS8 - .... (FA number)</b>
Terminal cover		2 x	<b>TCA8</b>

Dimensions (mm)							
Product line	A1	A2	C1	D*	D1	D2	E
K830	130	178	93	210	20	5,5	104
Switching programmes <sup>1)</sup>							
Dimension L	Main/Emergency-Off Switches						
125	41300, 41400						
161	41600						
163	41311, 41320, 41411, 41420						
197	41800						
199	41611, 41620						

\* Terminal lugs included

<sup>1)</sup> Examples, other switching programmes on request



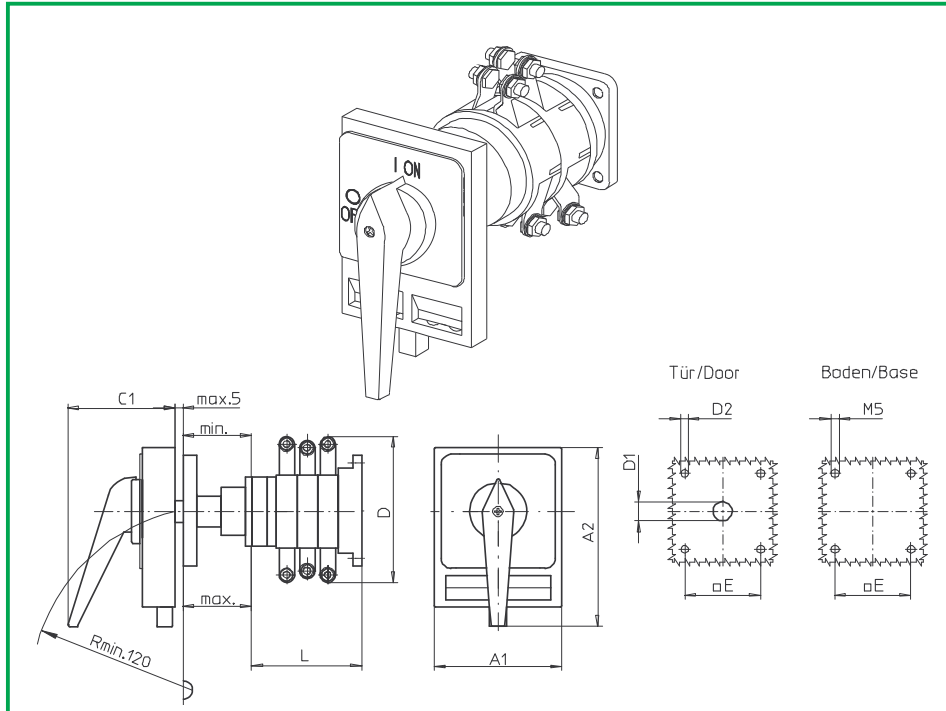
## Section B

	Page	
	from	to
<b>Door interlock</b> Four hole front mounting	<b>B1-1</b>	<b>B1-3</b>
<b>Door interlock with mounting plate</b> Four hole front mounting	<b>B2-1</b>	<b>B2-2</b>

---

**Originator: Sälzer Electric GmbH · Product Data Management (PDM) · 09306 Rochlitz (Germany)**  
Copyright reserved by Sälzer Electric GmbH. This document replaces all previous issues.  
Valid until a new version is published. Changes and revisions reserved.

# Base Mounting Switches



**Product line  
K830**

**Base mounting switch**

**Door interlock**

**Four hole mounting**

104 x 104 mm base

104 x 104 mm front

**034H1 (IP55)**

**034H4 (IP55)**

Complete Switch	Poles	Product lines	Rated Data (IEC 60947)			Order Code Number
			Operational current I <sub>e</sub>	Operational power at 380–440V		
			AC-21A A	AC-23A kW	AC-3 kW	
Main Switches Switching angle 90° OFF position padlockable 09h	3 ... 8	K830	315	132	55	<b>K830 - 41 ... - 034H1</b>
Main/Emergency-Off Switches Switching angle 90° OFF position padlockable 09h	3 ... 8	K830	315	132	55	<b>K830 - 41 ... - 034H4</b>

SMD modules for basic switch	(GA A02)		
Mounting form module for 034H.		K830	<b>BFA8 - 042</b>
H-operator module 100 x 160 mm, mounting form 034H1 Padlock device black, Padlockable handle black			<b>8AH1 - 09</b>
H-operator module 100 x 160 mm, mounting form 034H4 Padlock device black, Padlockable handle red			<b>8AH4 - 09</b>
Legend plate silver, operator module 034H1			<b>FAS8 - .... (FA number)</b>
Legend plate yellow, operator module 034H4			<b>FBS8 - .... (FA number)</b>
Terminal cover		2 x	<b>TCA8</b>

Dimensions (mm)										L with ... stages			
Type	A1	A2	C1	D*	D1	D2	E	min.	max.	1	2	3	4
K830	130	176	93	210	20	5,5	104	75	102	89	125	161	197

**Switching programmes** <sup>1)</sup>

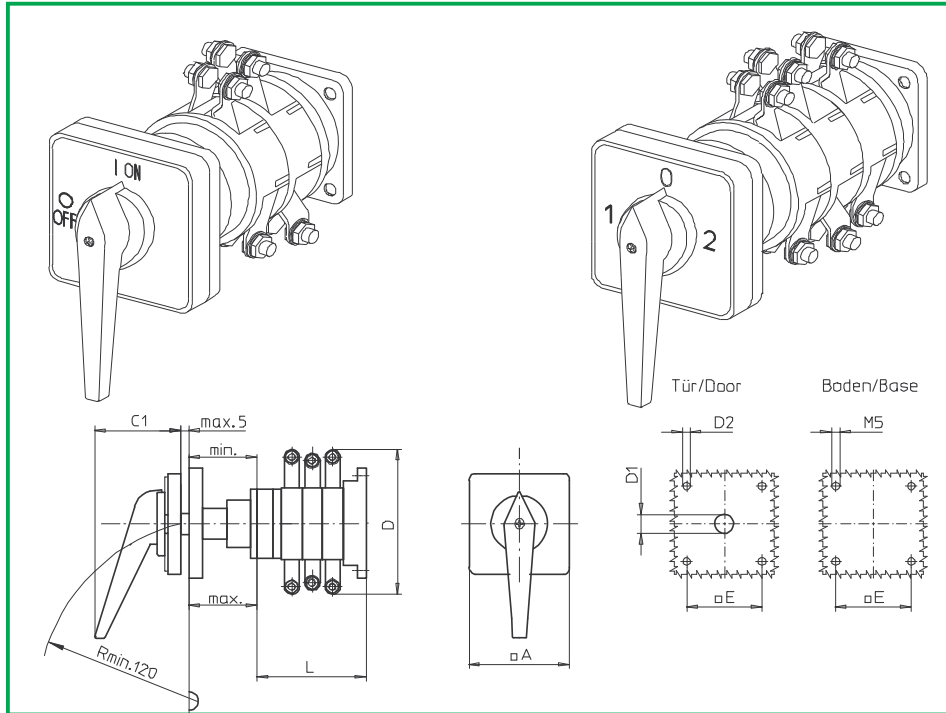
Dimension L	Main/Emergency-Off Switches
125	41300, 41400
161	41600
197	41800

\* Terminal lugs included

<sup>1)</sup> Examples, other switching programmes on request

# Base Mounting Switches

# sälzer



**Product line  
K830**

**Base mounting switch**

**Door interlock**

**Four hole mounting**

104 x 104 mm base

104 x 104 mm front

**042G1 (IP55)**

Complete Switch	Poles	Product lines	Rated Data (IEC 60947)			Order Code Number
			Operational current I <sub>e</sub>	Operational power at 380–440V		
			AC-21A A	AC-23A kW	AC-3 kW	
ON-OFF Switches Switching angle 90° Starting position of the handle 09h	3 ... 8	K830	315	132	55	<b>K830 - 41 ... - 042G1</b>
Changeover with OFF Switching angle 90° Starting position of the handle 12h	3 ... 4	K830	315	132	55	<b>K830 - 71 ... - 042G1</b>

SMD modules for basic switch	(GA A02)		
Mounting form module for 042G.		K830	<b>BFA8 - 042</b>
G-operator module 130 x 130 mm, mounting form 042G1 Escutcheon black, handle black; Starting position of the handle 09h			<b>8AG1</b>
G-operator module 130 x 130 mm, mounting form 042G1 Escutcheon black, handle black; Starting position of the handle 12h			<b>8BG1</b>
Legend plate silver, operator module 042G1			<b>FAS8 - .... (FA number)</b>

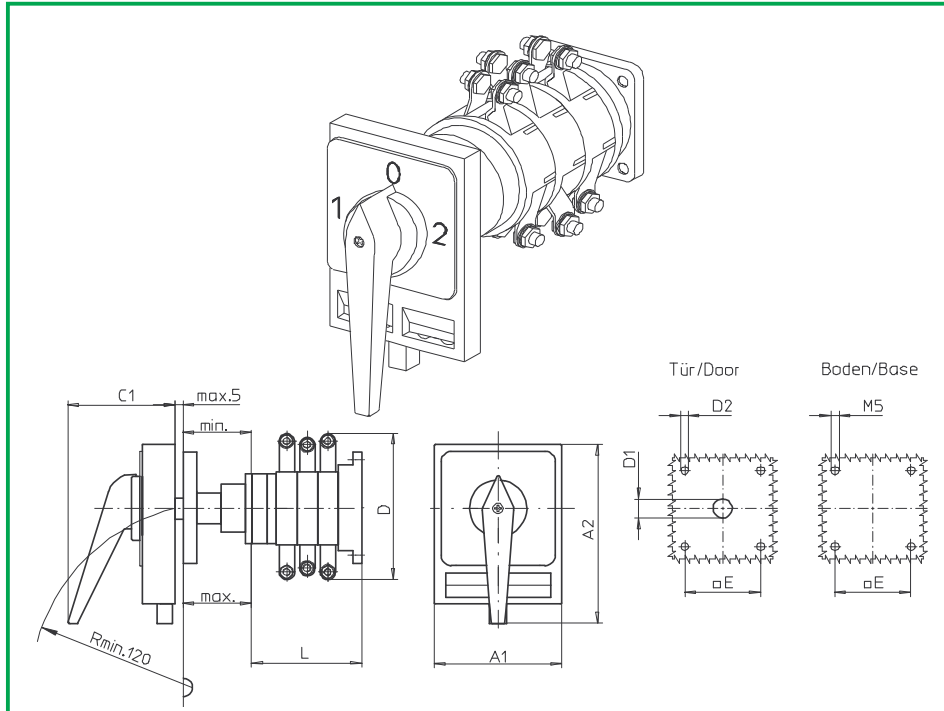
Dimensions (mm)									L with ... stages			
Type	A	C1	D*	D1	D2	E	min.	max.	1	2	3	4
K830	130	74	210	20	5,5	104	75	102	89	125	161	197

Switching programmes <sup>1)</sup>	
Dimension L	ON-OFF Switches
125	41300, 41400
161	41600
197	41800
	Changeover Switches
	-
	71300
	71400

\* Terminal lugs included

<sup>1)</sup> Examples, other switching programmes on request

# Base Mounting Switches



**Product line  
K830**

**Base mounting switch**

**Door interlock**

**Four hole mounting**

104 x 104 mm base

104 x 104 mm front

**042H1 (IP55)**

**043H1 (IP55)**

Complete Switch	Poles	Product lines	Rated Data (IEC 60947)			Order Code Number
			Operational current I <sub>e</sub>	Operational power at 380–440V		
			AC-21A A	AC-23A kW	AC-3 kW	
Changeover with OFF Switching angle 90° OFF position padlockable 12h	3 ... 4	K830	315	132	55	<b>K830 - 71 ... - 042H1</b>
Changeover with OFF Switching angle 90° 3 positions padlockable (09h/12h/03h)	3 ... 4	K830	315	132	55	<b>K830 - 71 ... - 043H1</b>

SMD modules for basic switch	(GA A02)		
Mounting form module for 042H1/ 043H1		K830	<b>BFA8 - 042</b>
H-operator module 130 x 160 mm, mounting form 042H1 Padlock device black, H-handle black			<b>8BH1 - 12</b>
H-operator module 130 x 160 mm, mounting form 043H1 Padlock device black, H-handle black			<b>8BH1 - 99</b>
Legend plate silver, operator module 042H1/ 043H1			<b>FAS8 - .... (FA number)</b>

Dimensions (mm)													
Type	A1	A2	C1	D*	D1	D2	E	min.	max.	L with ... stages			
										1	2	3	4
K830	130	176	93	210	20	5,5	104	75	102	89	125	161	197

**Switching programmes** <sup>1)</sup>

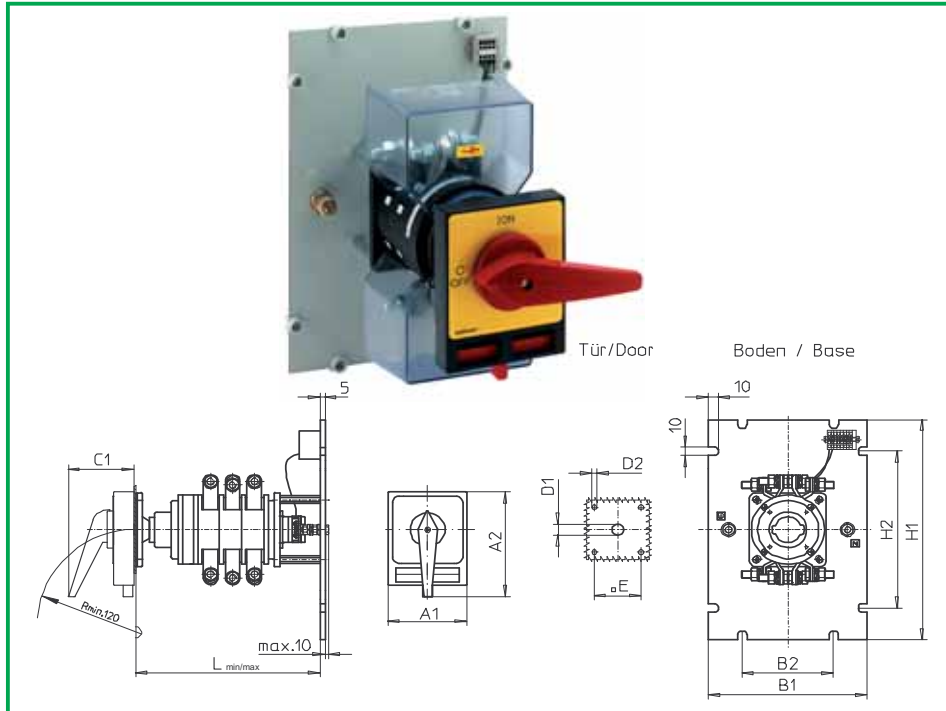
Dimension L	Changeover Switches
161	71300
197	71400

\* Terminal lugs included

<sup>1)</sup> Examples, other switching programmes on request

# Base Mounting Switches

# sälzer



**Product line  
K830**

**Base mounting switch**

**Door interlock  
with mounting plate**

**Four hole mounting**

150 x 270 mm base

104 x 104 mm front

**483H1 (IP55)**

**483H4 (IP55)**

Complete Switch	Poles	Product lines	Rated Data (IEC 60947)			Order Code Number
			Operational current I <sub>e</sub>	Operational power at 380–440V		
			AC-21A A	AC-23A kW	AC-3 kW	
Main Switches Switching angle 90° OFF position padlockable 09h	3 ... 8	K830	315	132	55	<b>K830 - 41 ... - 483H1</b>
Main/Emergency-Off Switches Switching angle 90° OFF position padlockable 09h	3 ... 8	K830	315	132	55	<b>K830 - 41 ... - 483H4</b>

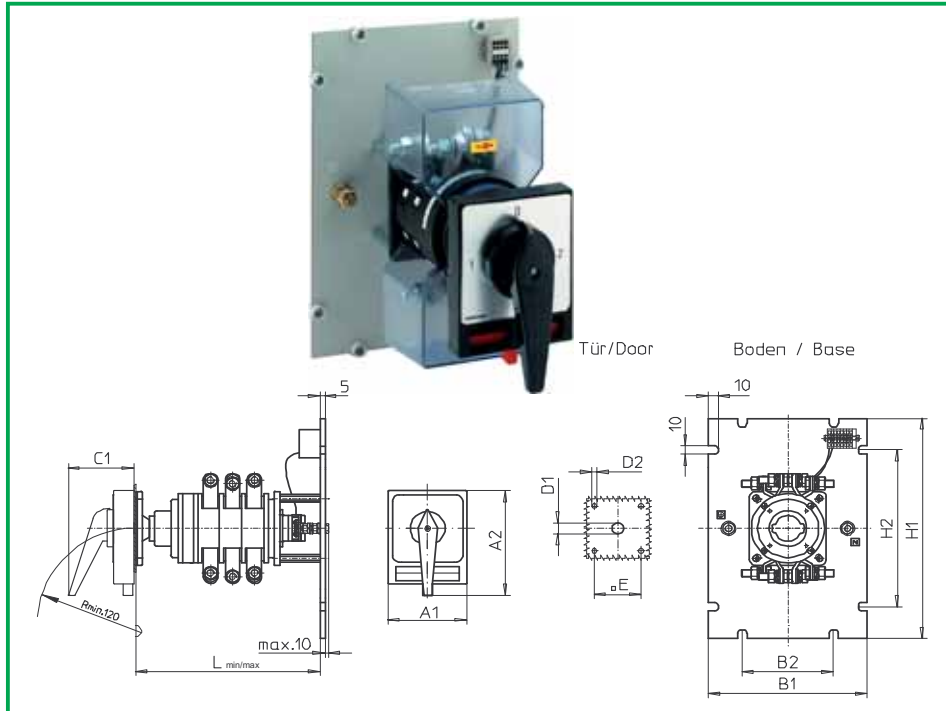
SMD modules for basic switch	(GA A02)		
Mounting form module for 483H.		K830	<b>BFA8 - 042</b>
H-operator module 130 x 160 mm, mounting form 483H1 Padlock device black, H-handle black			<b>8AH1-09</b>
H-operator module 130 x 160 mm, mounting form 483H4 Padlock device black, H-handle red			<b>8AH4-09</b>
Legend plate silver, operator module 483H1 Legend plate yellow, operator module 483H4			<b>FAS8 - .... (FA number)</b> <b>FBS8 - .... (FA number)</b>
Terminal cover		2 x	<b>TCA8</b>

Dimensions (mm)										
Type	A1	A2	B1	B2	C1	D1	D2	E	H1	H2
K830	130	176	260	150	93	20	5,5	104	380	270
Switching programmes <sup>1)</sup>			L <sub>min</sub>	L <sub>max</sub>						
41300 and 41400			200	227						
41311, 41320, 41322, 41331, 41340, 41411 and 41420			275	302						
41600, 41611, 41620, 41622, 41631 and 41640			292	319						
41800			272	299						

\* Terminal lugs included

<sup>1)</sup> Examples, other switching programmes on request

# Base Mounting Switches



**Product line  
K830**

**Base mounting switch**

**Door interlock  
with mounting plate**

**Four hole mounting**  
150 x 270 mm base  
104 x 104 mm front

**484H1 (IP55)**

Complete Switch	Poles	Product lines	Rated Data (IEC 60947)			Order Code Number
			Operational current I <sub>e</sub>	Operational power at 380–440V		
			AC-21A A	AC-23A kW	AC-3 kW	
Changeover with OFF Switching angle 90° OFF position padlockable 12h	3 ... 4	K830	315	132	55	<b>K830 - 71 ... - 484H1</b>

SMD modules for basic switch	(GA A02)		
Mounting form module for 484H1		K830	<b>BFA8 - 042</b>
H-operator module 130 x 160 mm, mounting form 484H1			<b>8BH1 - 12</b>
Padlock device black, H-handle black			
Legend plate silver, operator module 484H1			<b>FAS8 - .... (FA number)</b>
Terminal cover		2 x	<b>TCA8</b>

Dimensions (mm)										
Type	A1	A2	B1	B2	C1	D1	D2	E	H1	H2
K830	130	176	260	150	93	20	5,5	104	380	270
Switching programmes <sup>1)</sup>			L <sub>min</sub>	L <sub>max</sub>						
71300, 71301, 71302, 71310, 71311, 71312, 71320, 71321 and 71322			292	319						
71400			272	299						

\* Terminal lugs included

<sup>1)</sup> Examples, other switching programmes on request



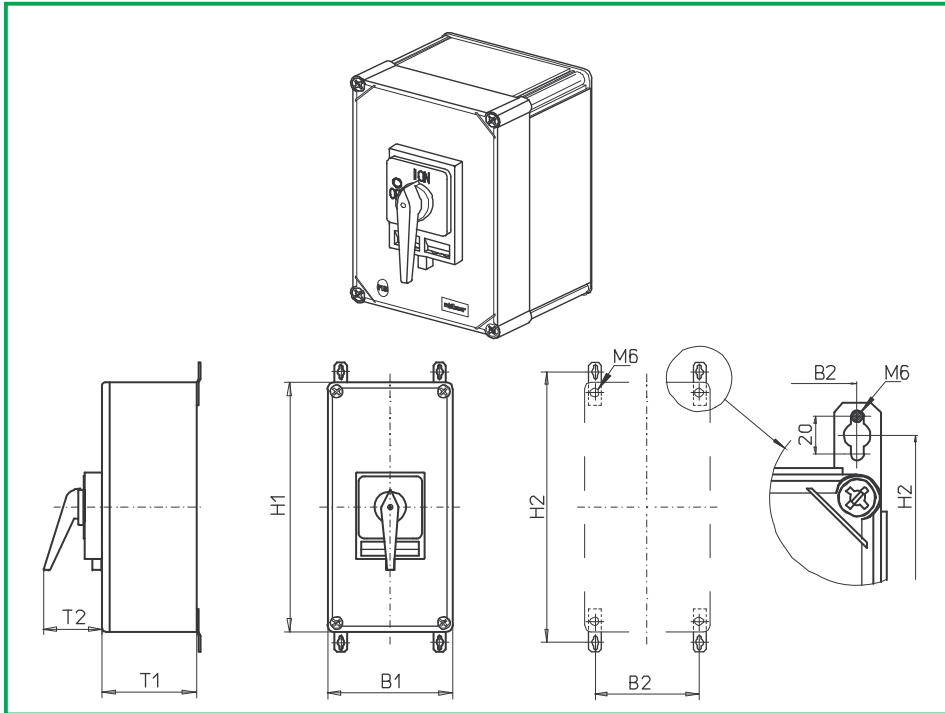
## Section C

	Page	
	from	to
<b>Insulated enclosures</b>	<b>C1-1</b>	<b>C1-3</b>
<b>Mild steel enclosures</b>	<b>C2-1</b>	<b>C2-4</b>

---

**Originator: Sälzer Electric GmbH · Product Data Management (PDM) · 09306 Rochlitz (Germany)**  
Copyright reserved by Sälzer Electric GmbH. This document replaces all previous issues.  
Valid until a new version is published. Changes and revisions reserved.

# Enclosed Switches



**Product line  
K830**

**Enclosed Switches**

**Insulated enclosures**  
640 x 320 x 255 mm

With cover interlock  
in ON position

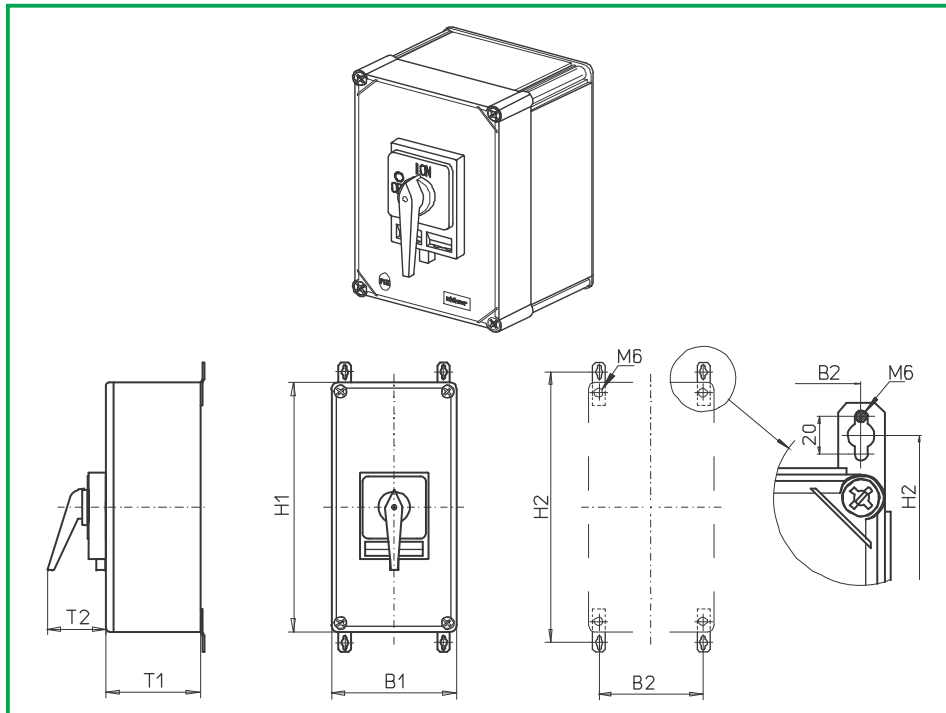
**Cable entries**  
Blank gland plates

**077H1 (IP66)**  
**077H4 (IP66)**

Complete Switch	Poles	Product lines	Rated Data (IEC 60947)			Order Code Number
			Operational current I <sub>e</sub>	Operational power at 380–440V		
			AC-21A A	AC-23A kW	AC-3 kW	
Main Switches Switching angle 90° OFF position padlockable 09h	3 ... 4	K830	315	132	55	<b>K830 - 41 ... - 077H1</b>
Main/Emergency-Off Switches Switching angle 90° OFF position padlockable 09h	3 ... 4	K830	315	132	55	<b>K830 - 41 ... - 077H4</b>
<b>SMD modules for switch module</b>						
Mounting form module			K830			<b>K830 - 41 ... - ED</b>
Enclosure module, mounting form 077H1 H-padlock device black						<b>PAK8 - 077H1</b>
Enclosure module, mounting form 077H4 H-padlock device yellow/red						<b>PAK8 - 077H4</b>
<b>Dimensions (mm)</b>						
<b>Product line</b>	<b>H1</b>	<b>H2</b>	<b>B1</b>	<b>B2</b>	<b>T1</b>	<b>T2</b>
K830	640	680	320	293	255	93
<b>Switching programmes</b>						
41300, 41400	Main Switches and Main/Emergency-Off Switches					

# Enclosed Switches

**sälzer**



**Product line  
K830**

**Enclosed Switches**

**Insulated enclosures**  
640 x 320 x 330 mm

With cover interlock  
in ON position

**Cable entries**  
Blank gland plates

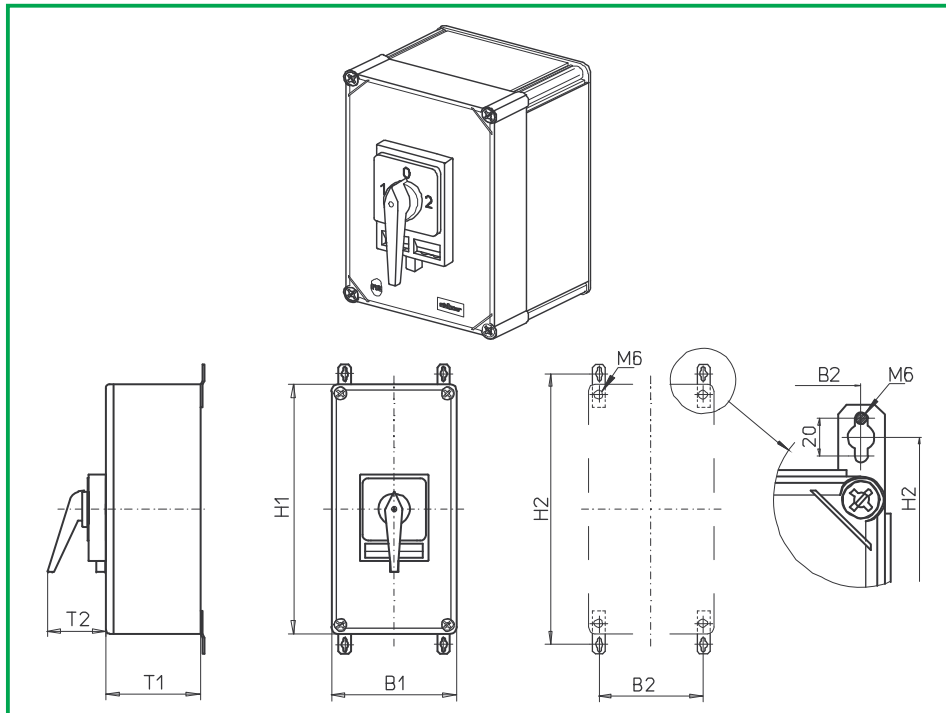
**177H1 (IP66)**

**177H4 (IP66)**

Complete Switch	Poles	Product lines	Rated Data (IEC 60947)			Order Code Number
			Operational current I <sub>e</sub> AC-21A A	Operational power at 380–440V AC-23A kW	AC-3 kW	
Main Switches Switching angle 90° OFF position padlockable 09h	3 ... 8	K830	315	132	55	<b>K830 - 41 ... - 177H1</b>
Main/Emergency-Off Switches Switching angle 90° OFF position padlockable 09h	3 ... 8	K830	315	132	55	<b>K830 - 41 ... - 177H4</b>
<b>SMD modules for switch module</b>						
Mounting form module			K830			<b>K830 - 41 ... - ED</b>
Enclosure module, mounting form 177H1 H-padlock device black						<b>PAK8 - 177H1</b>
Enclosure module, mounting form 177H4 H-padlock device yellow/red						<b>PAK8 - 177H4</b>
<b>Dimensions (mm)</b>						
<b>Product line</b>	<b>H1</b>	<b>H2</b>	<b>B1</b>	<b>B2</b>	<b>T1</b>	<b>T2</b>
K830	640	680	320	293	330	93
<b>Switching programmes</b>						
41311, 41320, 41411, 41420 41600, 41611, 41620 41800	Main Switches and Main/Emergency-Off Switches					

# Enclosed Switches

# sälzer



**Product line  
K830**

**Enclosed Switches**

**Insulated enclosures**  
640 x 320 x 330 mm

With cover interlock  
in position 1 and 2

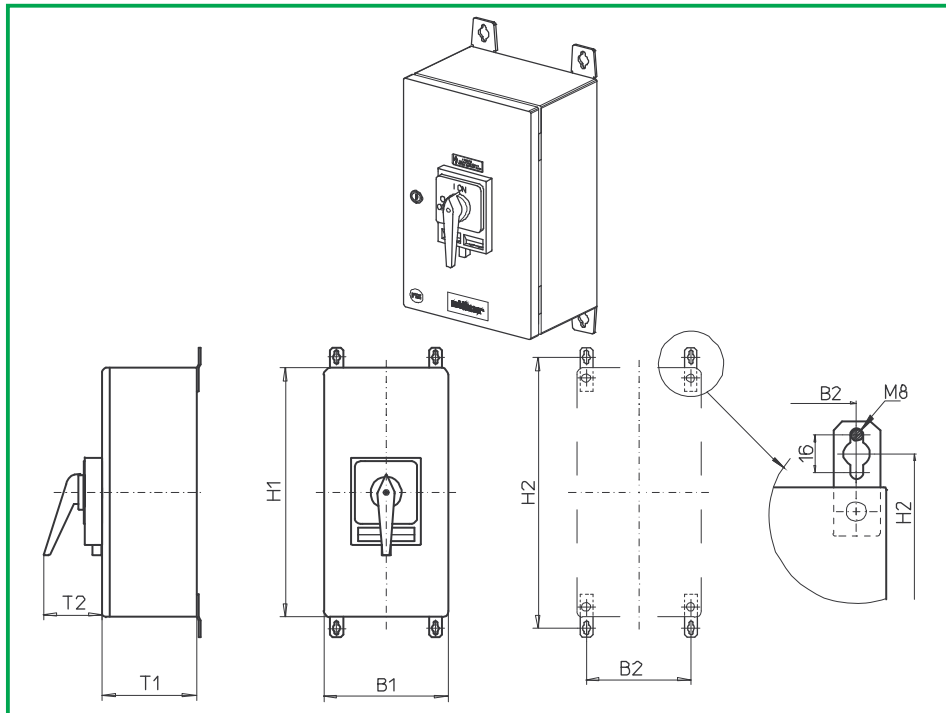
**Cable entries**  
Blank gland plates

**176H1 (IP66)**

Complete Switch	Poles	Product lines	Rated Data (IEC 60947)			Order Code Number
			Operational current I <sub>e</sub>	Operational power at 380–440V		
			AC-21A A	AC-23A kW	AC-3 kW	
Changeover with OFF Switching angle 90° OFF position padlockable 12h	3 ... 4	K830	315	132	55	<b>K830 - 71 ... - 176H1</b>
<b>SMD modules for switch module</b>						
Mounting form module			K830			<b>K830 - 71 ... - ED</b>
Enclosure module, mounting form 176H1 H-padlock device black						<b>PAK8 - 176H1</b>
<b>Dimensions (mm)</b>						
<b>Product line</b>	<b>H1</b>	<b>H2</b>	<b>B1</b>	<b>B2</b>	<b>T1</b>	<b>T2</b>
K830	640	680	320	293	330	93
<b>Switching programmes</b>						
71300, 71311, 71322 71400	Changeover with OFF					

# Enclosed Switches

# sälzer



**Product line**  
**K830**

**Enclosed Switches**

**Mild steel enclosures**  
600 x 400 x 300 mm

With cover interlock  
in ON position

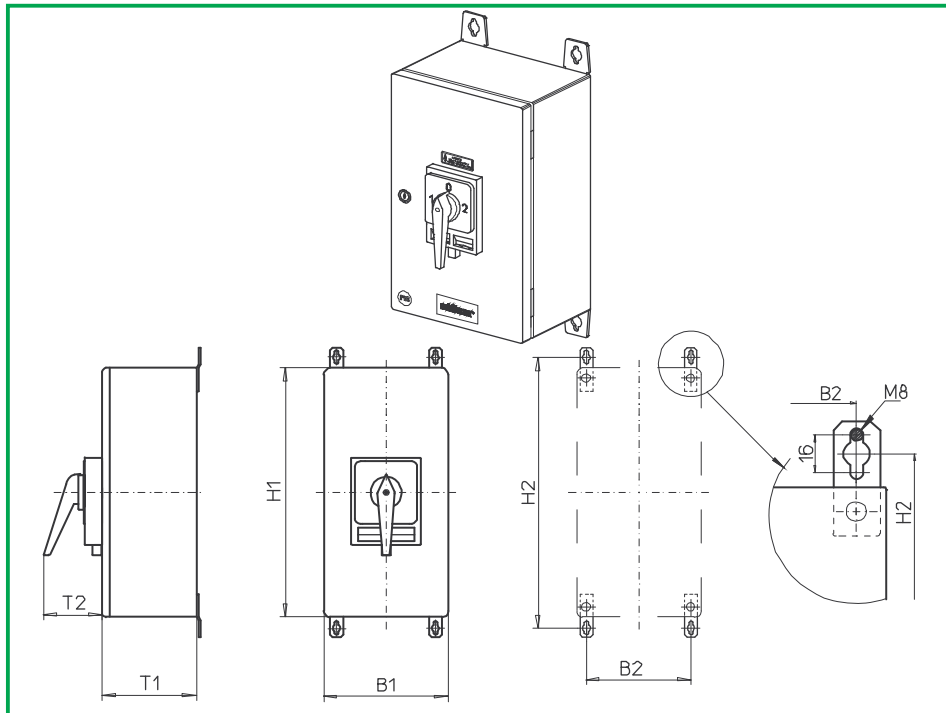
**Cable entries**  
Blank gland plates

**187H1 (IP66)**  
**187H4 (IP66)**

Complete Switch	Poles	Product lines	Rated Data (IEC 60947)			Order Code Number
			Operational current I <sub>e</sub>	Operational power at 380–440V		
			AC-21A A	AC-23A kW	AC-3 kW	
Main Switches Switching angle 90° OFF position padlockable 09h	3 ... 8	K830	315	132	55	<b>K830 - 41 ... - 187H1</b>
Main/Emergency-Off Switches Switching angle 90° OFF position padlockable 09h	3 ... 8	K830	315	132	55	<b>K830 - 41 ... - 187H4</b>
<b>SMD modules for switch module</b>						
Mounting form module			K830			<b>K830 - 41 ... - SED</b>
Enclosure module, mounting form 187H1 H-padlock device black						<b>SAK8 - 187H1</b>
Enclosure module, mounting form 187H4 H-padlock device yellow/red						<b>SAK8 - 187H4</b>
<b>Dimensions (mm)</b>						
<b>Product line</b>	<b>H1</b>	<b>H2</b>	<b>B1</b>	<b>B2</b>	<b>T1</b>	<b>T2</b>
K830	600	645	400	360	300	93

# Enclosed Switches

**sälzer**



**Product line  
K830**

**Enclosed Switches**

**Mild steel enclosures**  
600 x 400 x 300 mm

With cover interlock  
in position 1 and 2

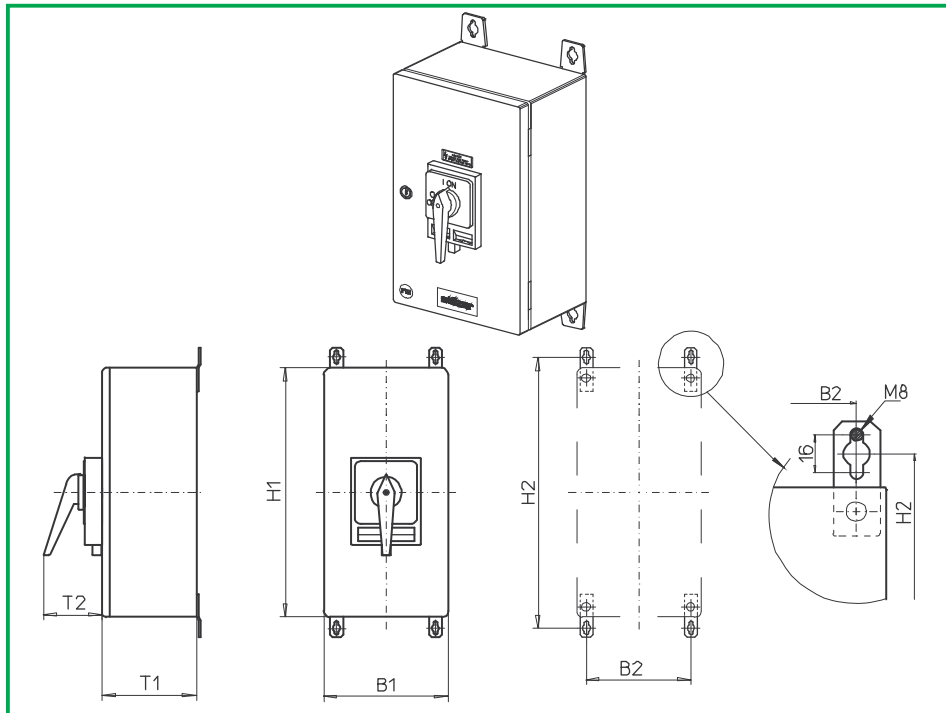
**Cable entries**  
Blank gland plates

**186H1(IP66)**

Complete Switch	Poles	Product lines	Rated Data (IEC 60947)			Order Code Number
			Operational current I <sub>e</sub>	Operational power at 380–440V		
			AC-21A A	AC-23A kW	AC-3 kW	
Changeover with OFF Switching angle 90° OFF position padlockable 12h	3 ... 4	K830	315	132	55	<b>K830 - 71 ... - 186H1</b>
<b>SMD modules for switch module</b>						
Mounting form module			K830			<b>K830 - 71 ... - SED</b>
Enclosure module, mounting form 186H1 H-padlock device black						<b>SAK8 - 186H1</b>
<b>Dimensions (mm)</b>						
<b>Product line</b>	<b>H1</b>	<b>H2</b>	<b>B1</b>	<b>B2</b>	<b>T1</b>	<b>T2</b>
K830	600	645	400	360	300	93

# Enclosed Switches

# sälzer



**Product line**  
**K830**

**Enclosed Switches**

**Mild steel enclosures**  
800 x 400 x 300 mm

With cover interlock  
in ON position

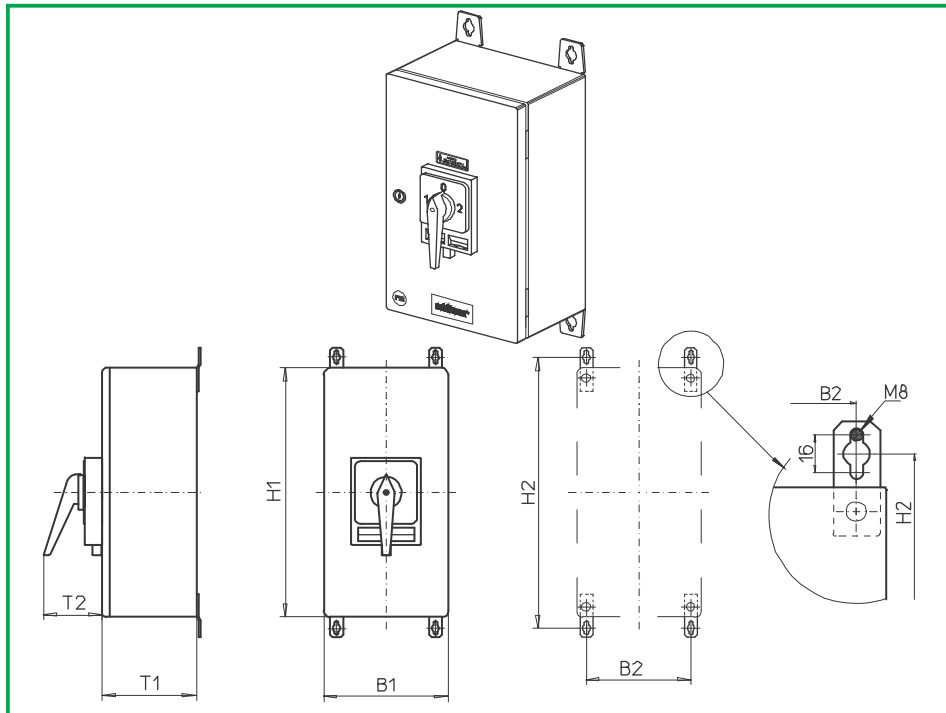
**Cable entries**  
Blank gland plates

**287H1 (IP66)**  
**287H4 (IP66)**

Complete Switch	Poles	Product lines	Rated Data (IEC 60947)			Order Code Number
			Operational current I <sub>e</sub>	Operational power at 380–440V		
			AC-21A A	AC-23A kW	AC-3 kW	
Main Switches Switching angle 90° OFF position padlockable 09h	3 ... 8	K830	315	132	55	<b>K830 - 41 ... - 287H1</b>
Main/Emergency-Off Switches Switching angle 90° OFF position padlockable 09h	3 ... 8	K830	315	132	55	<b>K830 - 41 ... - 287H4</b>
<b>SMD modules for switch module</b>						
Mounting form module			K830			<b>K830 - 41 ... - SEG</b>
Enclosure module, mounting form 287H1 H-padlock device black						<b>SAK8 - 287H1</b>
Enclosure module, mounting form 287H4 H-padlock device yellow/red						<b>SAK8 - 287H4</b>
<b>Dimensions (mm)</b>						
<b>Product line</b>	<b>H1</b>	<b>H2</b>	<b>B1</b>	<b>B2</b>	<b>T1</b>	<b>T2</b>
K830	800	845	400	360	300	93

# Enclosed Switches

# sälzer



**Product line**  
**K830**

**Enclosed Switches**

**Mild steel enclosures**  
800 x 400 x 300 mm

With cover interlock  
in position 1 and 2

**Cable entries**  
Blank gland plates

**286H1(IP66)**

Complete Switch	Poles	Product lines	Rated Data (IEC 60947)			Order Code Number
			Operational current I <sub>e</sub>	Operational power at 380–440V		
			AC-21A A	AC-23A kW	AC-3 kW	
Changeover with OFF Switching angle 90° OFF position padlockable 12h	3 ... 4	K830	315	132	55	<b>K830 - 71 ... - 286H1</b>
<b>SMD modules for switch module</b>						
Mounting form module			K830			<b>K830 - 71 ... - SEG</b>
Enclosure module, mounting form 286H1 H-padlock device black						<b>SAK8 - 286H1</b>
<b>Dimensions (mm)</b>						
<b>Product line</b>	<b>H1</b>	<b>H2</b>	<b>B1</b>	<b>B2</b>	<b>T1</b>	<b>T2</b>
K830	800	845	400	360	300	93



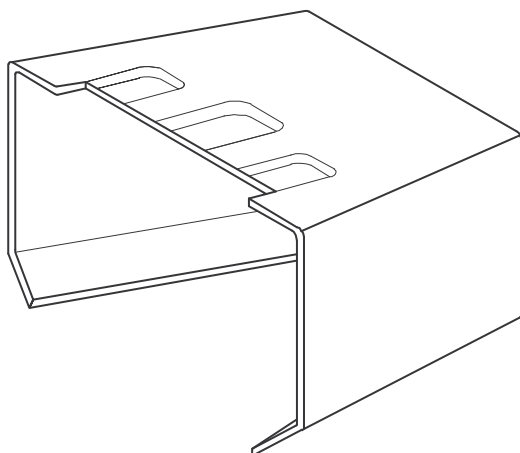
## Section D

Page  
from to

**Covers D1-1 D1-1**

---

**Originator: Sälzer Electric GmbH · Product Data Management (PDM) · 09306 Rochlitz (Germany)**  
Copyright reserved by Sälzer Electric GmbH. This document replaces all previous issues.  
Valid until a new version is published. Changes and revisions reserved.



**Product line  
K830**

**Terminal cover**

for  
Main/Emergency-Off  
Switches or  
Changeover Switches  
with terminal lugs

(max. 2 stages)

**Front/base mounting**

**TCA8**

**Terminal cover**

Product line K830  
Main/Emergency-Off Switches with terminal lugs  
Changeover Switches with OFF and terminal lugs

Front/base mounting switches

Switching programmes	Poles	Number	Order code number
Main/Emergency-Off Switches with terminal lugs <b>41300</b>	3 pole	2	<b>TCA8</b>
<b>41400</b>	4 pole	2	<b>TCA8</b>
Changeover Switches with OFF and terminal lugs <b>71300</b>	3 pole	2	<b>TCA8</b>



## Faster deliveries through SMD

In order to ensure even greater flexibility for worldwide supply availability within 24h, Sälzer Electric has introduced the SMD (Sälzer Modular Design) system.

SMD modules are individually prefabricated and tested all-in-one modules which SMD Service holds in stock in sufficient quantities. From basic switch modules, mounting form modules and operator modules, SMD Service can assemble a complete switch requested by the customer and pack it ready for delivery in just a few actions.

**– back –**