



Mounting Form Table

K616
160 A

Section

Front Mounting Switches	A
Base Mounting Switches	B
Enclosed Switches	C
Accessories	D

Sälzer Electric GmbH
Clemens-Pfau-Platz 27
09306 Rochlitz
www.saelzer.com

Headquarters:
+49 (0) 37 37 / 87-280
sales@salzer.de

Originator: Sälzer Electric GmbH · Product Data Management (PDM) · 09306 Rochlitz (Germany)
Copyright reserved by Sälzer Electric GmbH. This document replaces all previous issues.
Valid until a new version is published. Changes and revisions reserved.

Mounting Form Table



Mtg. form	Pages	Mtg. form	Pages	Mtg. form	Pages	Mtg. form	Pages
003G1	A1-1 (4)	034M1	B1-1 (13)	077H4	C1-1 (21)	FAZ2-....	D1-1 (27)
003H1	A1-3 (6)	034M4	B1-1 (13)	176H1	C1-3 (23)		
004H1	A1-3 (6)	034N1	B1-2 (14)	177H1	C1-2 (22)		
013G1	A1-2 (5)	034N4	B1-2 (14)	177H4	C1-2 (22)		
013H1	A1-4 (7)	034H1	B1-3 (15)	187H1	C2-1 (24)		
014H1	A1-4 (7)	034H4	B1-3 (15)	186H1	C2-2 (25)		
033M1	A1-5 (8)	036H1	A1-8 (11)	187H4	C2-1 (24)		
033M4	A1-5 (8)	036H4	A1-8 (11)	483H1	B3-1 (18)		
033N1	A1-6 (9)	042G1	B1-4 (16)	483H4	B2-1 (18)		
033N4	A1-6 (9)	042H1	B1-5 (17)	484H1	B2-2 (19)		
033H1	A1-7 (10)	043H1	B2-2 (17)	FAS2-....	D1-2 (28)		
033H4	A1-7 (10)	077H1	C1-1 (21)	FBS2-....	D1-2 (28)		



Section A

Page
from to

Four hole mounting

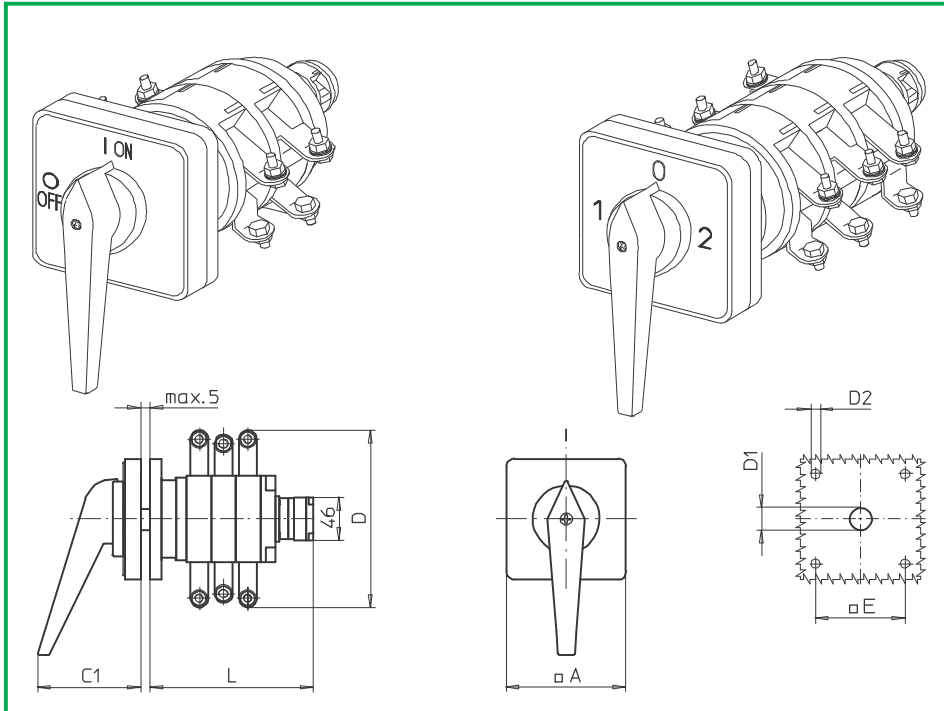
A1-1

A1-8

Originator: Sälzer Electric GmbH · Product Data Management (PDM) · 09306 Rochlitz (Germany)
Copyright reserved by Sälzer Electric GmbH. This document replaces all previous issues.
Valid until a new version is published. Changes and revisions reserved.

Front Mounting Switches

sälzer



**Product line
K616**

Front mounting switch

Four hole mounting
68 x 68 mm

003G1 (IP55)

Complete Switch	Poles	Product lines	Rated Data (IEC 60947)			Order Code Number
			Operational current I _e	Operational power at 380–440V		
			AC-21A A	AC-23A kW	AC-3 kW	
ON-OFF Switches Switching angle 90° Starting position of the handle 09h	3 ... 8	K616	160	75	45	K616 - 41 ... - 003G1
Changeover with OFF Switching angle 90° Starting position of the handle 12h	3 ... 4	K616	160	75	45	K616 - 71 ... - 003G1

SMD modules for basic switch	(GA A01)		
Mounting form module for 003G1		K616	BFA6 - 003
G-operator module 88 x 88 mm, mounting form 003G1 Escutcheon black, handle black; Starting position of the handle 09h			6AG1
G-operator module 88 x 88 mm, mounting form 003G1 Escutcheon black, handle black; Starting position of the handle 12h			6BG1
Legend plate silver, operator module 003G1			FAS6 - (FA number)

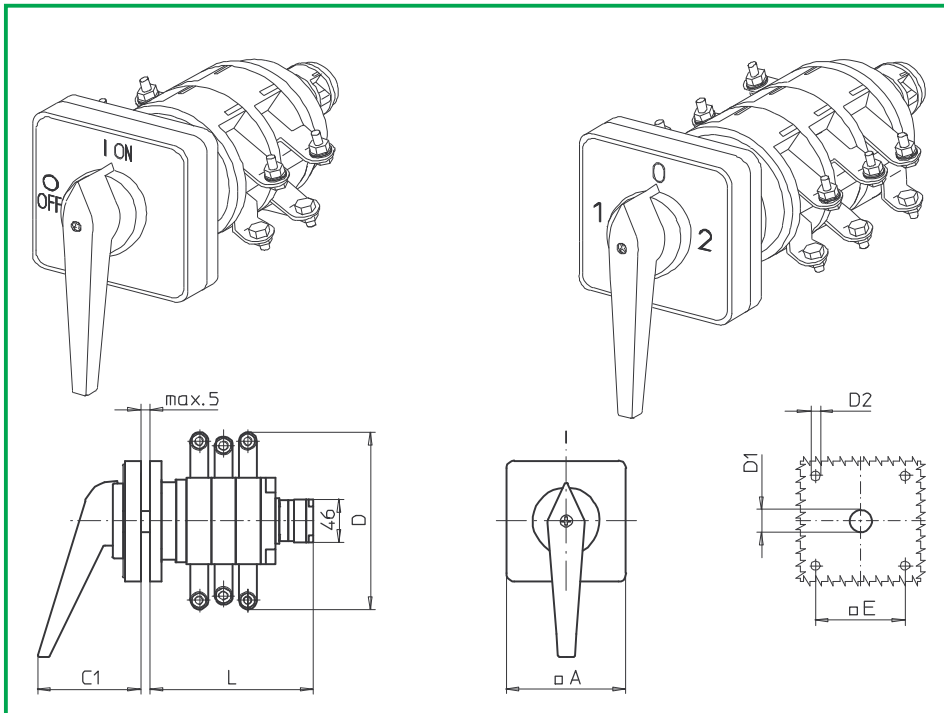
Dimensions (mm)								
Product line	A	C1	D*	D1	D2	E	Switching programmes ¹⁾	L
K616	88	66	150	20	5,5	68	41300, 41400	104
							41600, 71300	136
							41311, 41320	142
							41411, 41420	142
							41800, 71400	168
							41611, 41620	174
							71311, 71320	184

* Terminal lugs included

¹⁾ Examples, other switching programmes on request

Front Mounting Switches

sälzer



**Product line
K616**

Front mounting switch
Operator module of next size

Four hole mounting
104 x 104 mm

013G1 (IP55)

Complete Switch	Poles	Product lines	Rated Data (IEC 60947)			Order Code Number
			Operational current I _e	Operational power at 380–440V		
			AC-21A A	AC-23A kW	AC-3 kW	
ON-OFF Switches Switching angle 90° Starting position of the handle 09h	3 ... 8	K616	160	75	45	K616 - 41 ... - 013G1
Changeover with OFF Switching angle 90° Starting position of the handle 12h	3 ... 4	K616	160	75	45	K616 - 71 ... - 013G1

SMD modules for basic switch	(GA A11)		
Mounting form module for 013G1		K616	BFA6 - 013
G-operator module 130 x 130 mm, mounting form 013G1 Escutcheon black, handle black; Starting position of the handle 09h			8CG1
G-operator module 130 x 130 mm, mounting form 013G1 Escutcheon black, handle black; Starting position of the handle 12h			8DG1
Legend plate silver, operator module 013G1			FAS8 - (FA number)

Dimensions (mm)								Switching programmes ¹⁾	L
Product line	A	C1	D*	D1	D2	E			
K616	130	74	150	20	5,5	104	41300, 41400 41600, 71300 41311, 41320 41411, 41420 41800, 71400 41611, 41620 71311, 71320	104 136 142 142 168 174 184	

* Terminal lugs included
¹⁾ Examples, other switching programmes on request

Front Mounting Switches

sälzer

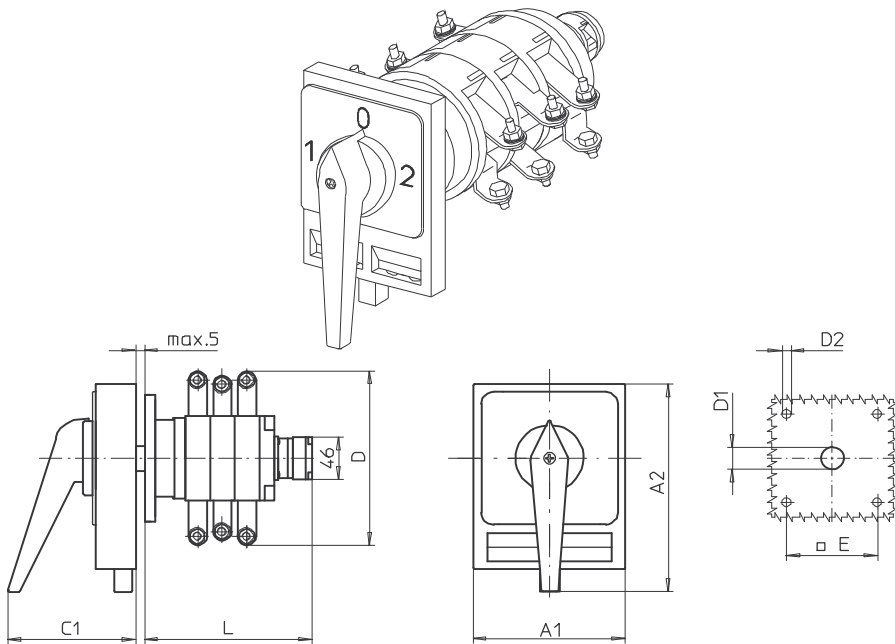
**Product line
K616**

Front mounting switch

Four hole mounting
68 x 68 mm

003H1 (IP55)

004H1 (IP55)



Complete Switch	Poles	Product lines	Rated Data (IEC 60947)			Order Code Number			
			Operational current I _e	Operational power at 380–440V					
			AC-21A A	AC-23A kW	AC-3 kW				
Changeover with OFF Switching angle 90° OFF position padlockable 12h	3 ... 4	K616	160	75	45	K616 - 71 ... - 003H1			
Changeover with OFF Switching angle 90° 3 positions padlockable (09h/12h/03h)	3 ... 4	K616	160	75	45	K616 - 71 ... - 004H1			
SMD modules for basic switch		(GA A01)							
Mounting form module for 003H1/ 004H1			K616			BFA6 - 003			
H-operator module 100 x 125 mm, mounting form 003H1 Padlock device black, H-handle black						6EH1 - 12			
H-operator module 100 x 125 mm, mounting form 004H1 Padlock device black, H-handle black						6EH1 - 99			
Legend plate silver, operator module 003H1/ 004H1						FAS6 - (FA number)			
Dimensions (mm)									
Product line	A1	A2	C1	D*	D1	D2	E	Switching programmes ¹⁾	L
K616	98	142	83	150	20	5,5	68	71300 71311, 71320 71400	136 184 168
* Terminal lugs included									
¹⁾ Examples, other switching programmes on request									

Front Mounting Switches

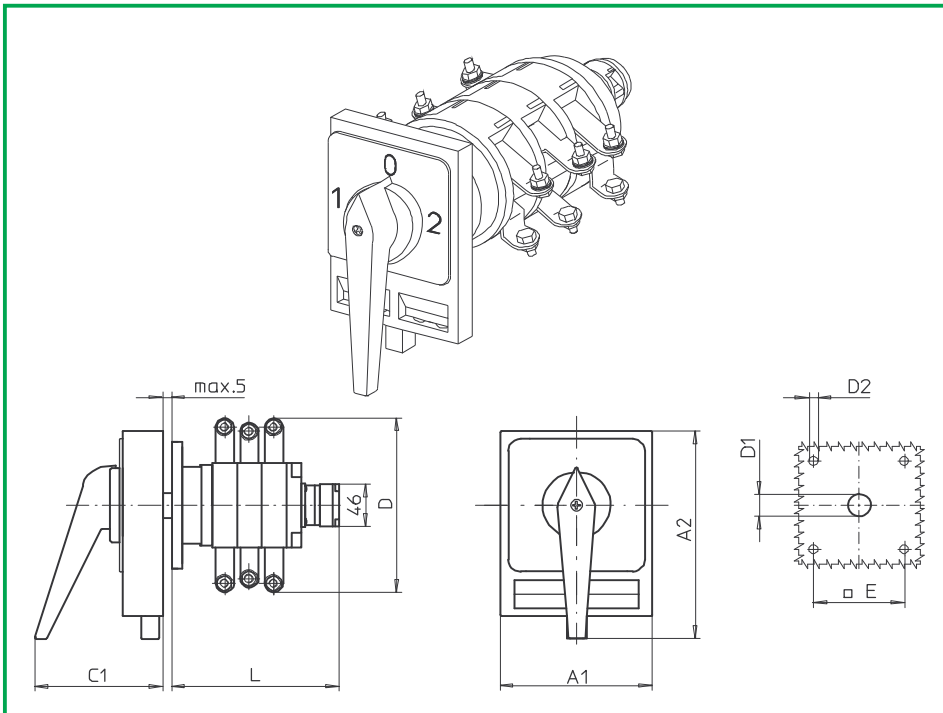
sälzer

Product line
K616

Front mounting switch
Operator module of next size

Four hole mounting
104 x 104 mm

013H1 (IP55)
014H1 (IP55)



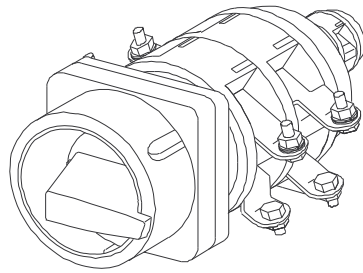
Complete Switch	Poles	Product lines	Rated Data (IEC 60947)			Order Code Number
			Operational current I _e	Operational power at 380–440V		
			AC-21A A	AC-23A kW	AC-3 kW	
Changeover with OFF Switching angle 90° OFF position padlockable 12h	3 ... 4	K616	160	75	45	K616 - 71 ... - 013H1
Changeover with OFF Switching angle 90° 3 positions padlockable (09h/12h/03h)	3 ... 4	K616	160	75	45	K616 - 71 ... - 014H1
SMD modules for basic switch		(GA A11)				
Mounting form module for 013H1/ 014H1			K616			BFA6 - 013
H-operator module 130 x 150 mm, mounting form 013H1 Padlock device black, H-handle black						8BH1 - 12
H-operator module 130 x 150 mm, mounting form 014H1 Padlock device black, H-handle black						8BH1 - 99
Legend plate silver, operator module 013H1/ 014H1						FAS8 - (FA number)

Dimensions (mm)									
Product line	A1	A2	C1	D*	D1	D2	E	Switching programmes ¹⁾	L
K616	130	176	93	150	20	5,5	104	71300	136
								71311, 71320	184
								71400	168

* Terminal lugs included
¹⁾ Examples, other switching programmes on request

Front Mounting Switches

sälzer

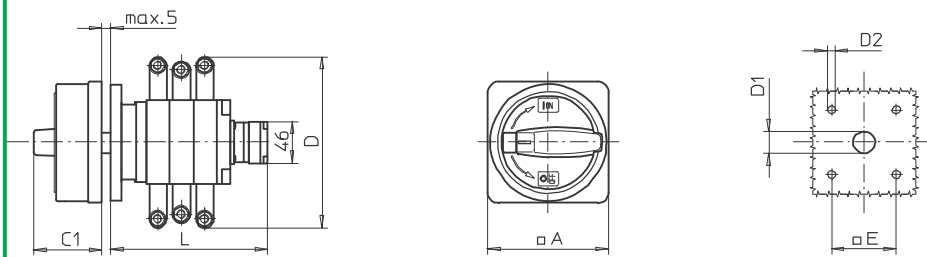


**Product line
K616**

Front mounting switch

Four hole mounting
68 x 68 mm

033M1 (IP55)
033M4 (IP55)



Complete Switch	Poles	Product lines	Rated Data (IEC 60947)			Order Code Number
			Operational current I _e	Operational power at 380–440V		
			AC-21A A	AC-23A kW	AC-3 kW	
ON-OFF Switches Switching angle 90° OFF position padlockable 09h	3 ... 8	K616	160	75	45	K616 - 41 ... - 033M1
Main/Emergency-Off Switches Switching angle 90° OFF position padlockable 09h	3 ... 8	K616	160	75	45	K616 - 41 ... - 033M4

SMD modules for basic switch	(GA A01)		
Mounting form module for 033M.		K616	BFA6 - 003
M-Padlock device 88 x 88 mm, mounting form 033M1 Escutcheon black, padlockable handle black			6KM1
M-Padlock device 88 x 88 mm, mounting form 033M4 Escutcheon yellow, padlockable handle red			6KM4

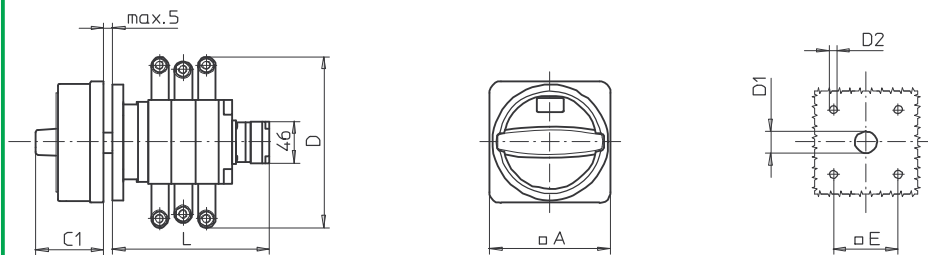
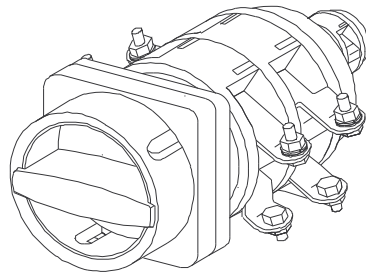
Dimensions (mm)								Switching programmes ¹⁾	L
Product line	A	C1	D*	D1	D2	E			
K616	88	50	150	20	5,5	68	41300, 41400 41600 41311, 41320 41411, 41420 41800, 41611, 41620	104 136 142 142 168 174	

* Terminal lugs included

¹⁾ Examples, other switching programmes on request

Front Mounting Switches

sälzer



**Product line
K616**

Front mounting switch

**Four hole mounting
68 x 68 mm**

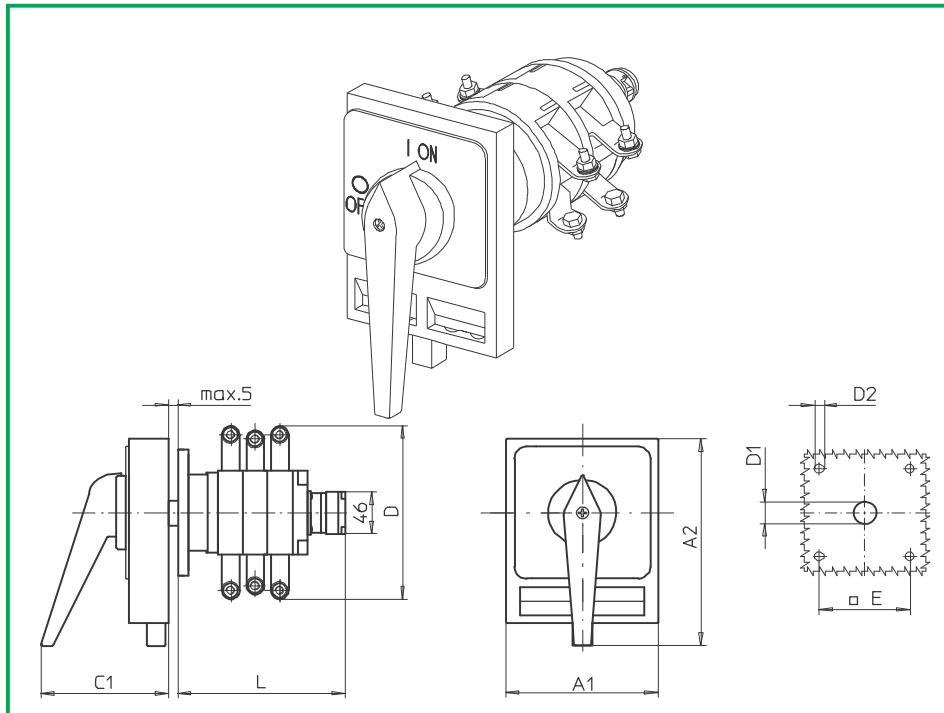
033N1 (IP55)

033N4 (IP55)

Complete Switch	Poles	Product lines	Rated Data (IEC 60947)			Order Code Number		
			Operational current I _e AC-21A A	Operational power at 380–440V AC-23A kW	AC-3 kW			
ON-OFF Switches Switching angle 90° OFF position padlockable 09h	3 ... 8	K616	160	75	45	K616 - 41 ... - 033N1		
Main/Emergency-Off Switches Switching angle 90° OFF position padlockable 09h	3 ... 8	K616	160	75	45	K616 - 41 ... - 033N4		
SMD modules for basic switch Mounting form module for 033N. N-Padlock device 88 x 88 mm, mounting form 033N1 Escutcheon black, padlockable handle black	(GA A01)		K616			BFA6 - 003 6KN1		
N-Padlock device 88 x 88 mm, mounting form 033N4 Escutcheon yellow, padlockable handle red						6KN4		
Dimensions (mm)								
Product line	A	C1	D*	D1	D2	E	Switching programmes ¹⁾	L
K616	88	45	150	20	5,5	68	41300, 41400 41600 41311, 41320 41411, 41420 41800, 41611, 41620	104 136 142 142 168 174
* Terminal lugs included								
¹⁾ Examples, other switching programmes on request								

Front Mounting Switches

sälzer



**Product line
K616**

Front mounting switch

Four hole mounting
68 x 68 mm

033H1 (IP55)
033H4 (IP55)

Complete Switch	Poles	Product lines	Rated Data (IEC 60947)			Order Code Number
			Operational current I _e	Operational power at 380–440V		
			AC-21A A	AC-23A kW	AC-3 kW	
Main Switches Switching angle 90° OFF position padlockable 09h	3 ... 8	K616	160	75	45	K616 - 41 ... - 033H1
Main/Emergency-Off Switches Switching angle 90° OFF position padlockable 09h	3 ... 8	K616	160	75	45	K616 - 41 ... - 033H4

SMD modules for basic switch	(GA A01)		
Mounting form module for 033H.		K616	BFA6 - 003
H-operator module 100 x 125 mm, mounting form 033H1 Padlock device black, H-handle black			6CH1 - 09
H-operator module 100 x 125 mm, mounting form 033H4 Padlock device black, H-handle red			6CH4 - 09
Legend plate silver, operator module 033H1 Legend plate yellow, operator module 033H4			FAS6 - (FA number) FBS6 - (FA number)

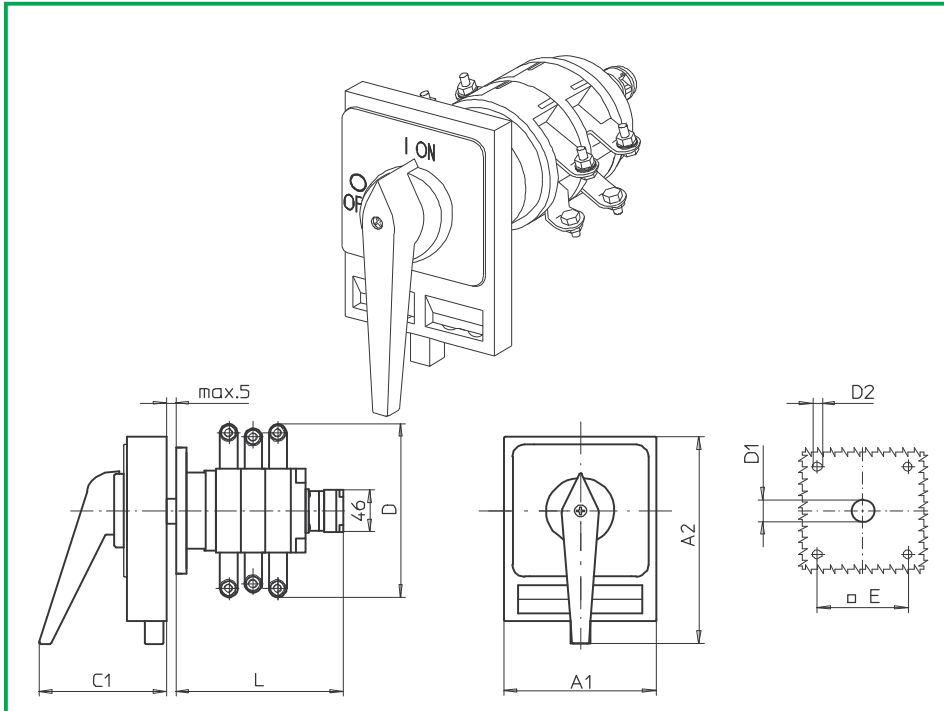
Dimensions (mm)									
Product line	A1	A2	C1	D*	D1	D2	E	Switching programmes ¹⁾	L
K616	98	142	83	150	20	5,5	68	41300, 41400	104
								41600	136
								41311, 41320	142
								41411, 41420	142
								41800,	168
								41611, 41620	174

* Terminal lugs included

¹⁾ Examples, other switching programmes on request

Front Mounting Switches

sälzer



**Product line
K616**

Front mounting switch
Operator module of next size

Four hole mounting
104 x 104 mm

036H1 (IP55)
036H4 (IP55)

Complete Switch	Poles	Product lines	Rated Data (IEC 60947)			Order Code Number
			Operational current I _e	Operational power at 380–440V		
			AC-21A A	AC-23A kW	AC-3 kW	
Main Switches Switching angle 90° OFF position padlockable 09h	3 ... 8	K616	160	75	45	K616 - 41 ... - 036H1
Main/Emergency-Off Switches Switching angle 90° OFF position padlockable 09h	3 ... 8	K616	160	75	45	K616 - 41 ... - 036H4

SMD modules for basic switch	(GA A11)		
Mounting form module for 036H.		K616	BFA6 - 013
H-operator module 130 x 150 mm, mounting form 036H1 Padlock device black, handle black			8BH1 - 09
H-operator module 130 x 150 mm, mounting form 036H4 Padlock device black, handle red			8BH4 - 09
Legend plate silver, operator module 036H1			FAS8 - (FA number)
Legend plate yellow, operator module 036H4			FBS8 - (FA number)

Dimensions (mm)									
Product line	A1	A2	C1	D*	D1	D2	E	Switching programmes ¹⁾	L
K616	130	176	93	150	20	5,5	104	41300, 41400	104
								41600	136
								41311, 41320	142
								41411, 41420	142
								41800,	168
								41611, 41620	174

* Terminal lugs included

¹⁾ Examples, other switching programmes on request



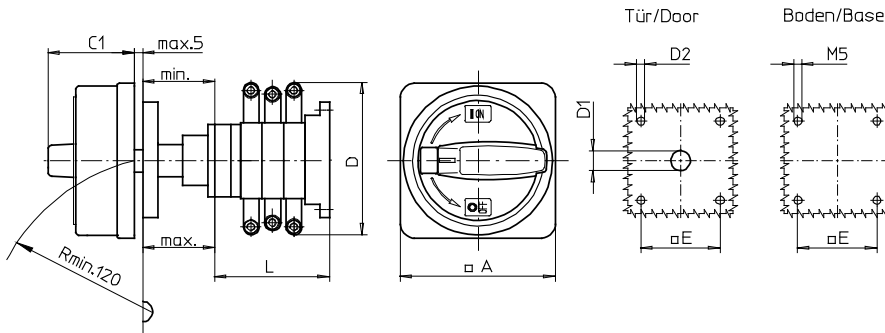
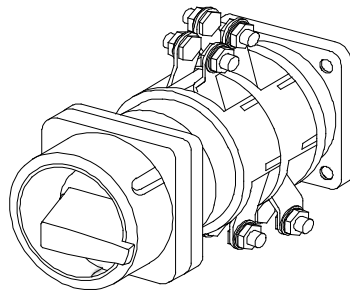
Section B

	Page	
	from	to
Door interlock Four hole front mounting	B1-1	B1-5
Door interlock with mounting plate Four hole front mounting	B2-1	B2-2

Originator: Sälzer Electric GmbH · Product Data Management (PDM) · 09306 Rochlitz (Germany)
Copyright reserved by Sälzer Electric GmbH. This document replaces all previous issues.
Valid until a new version is published. Changes and revisions reserved.

Base Mounting Switches

sälzer



Product line
K616

Base mounting switch

Door interlock

Four hole mounting

68 x 68 mm base
68 x 68 mm front

034M1 (IP55)

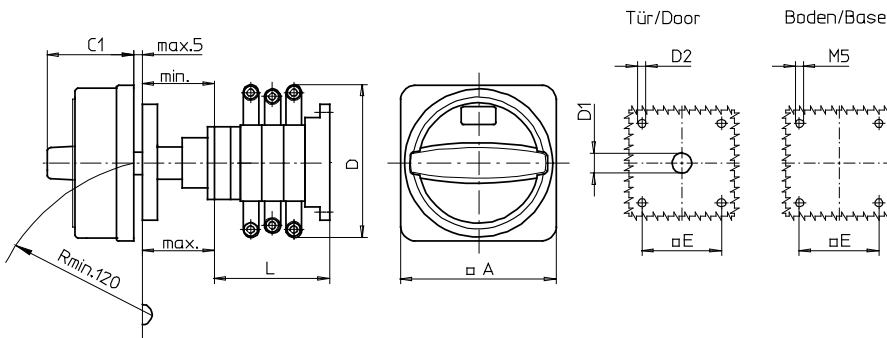
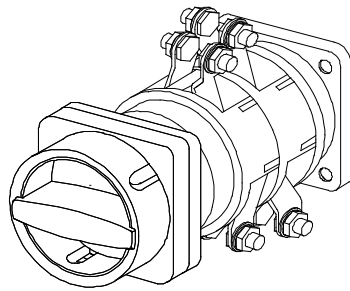
034M4 (IP55)

Complete Switch	Poles	Product lines	Rated Data (IEC 60947)			Order Code Number						
			Operational current I _e	Operational power at 380–440V								
			AC-21A A	AC-23A kW	AC-3 kW							
Main Switches Switching angle 90° OFF position padlockable 09h	3 ... 8	K616	160	75	45	K616 - 41 ... - 034M1						
Main/Emergency-Off Switches Switching angle 90° OFF position padlockable 09h	3 ... 8	K616	160	75	45	K616 - 41 ... - 034M4						
SMD modules for basic switch Mounting form module for 034M. M-padlock device 88 x 88 mm, mounting form 034M1 Escutcheon black, padlockable handle black	(GA A12)			K616		BFA6 - 042 6KM1						
M-padlock device 88 x 88 mm, mounting form 034M4 Escutcheon yellow, padlockable handle red						6KM4						
Terminal cover				1 x		TCC6						
Dimensions (mm)												
Type	A	C1	D*	D1	D2	E	min.	max	L with ... stages			
K616	88	50	150	15	5,5	68	48	60	1	2	3	4
72	104	136	168									
Switching programmes												
41300, 41400, 41600, 41800												

* terminal lugs included

Base Mounting Switches

sälzer



**Product line
K616**

Base mounting switch

Door interlock

Four hole mounting

68 x 68 mm base
68 x 68 mm front

034N1 (IP55)

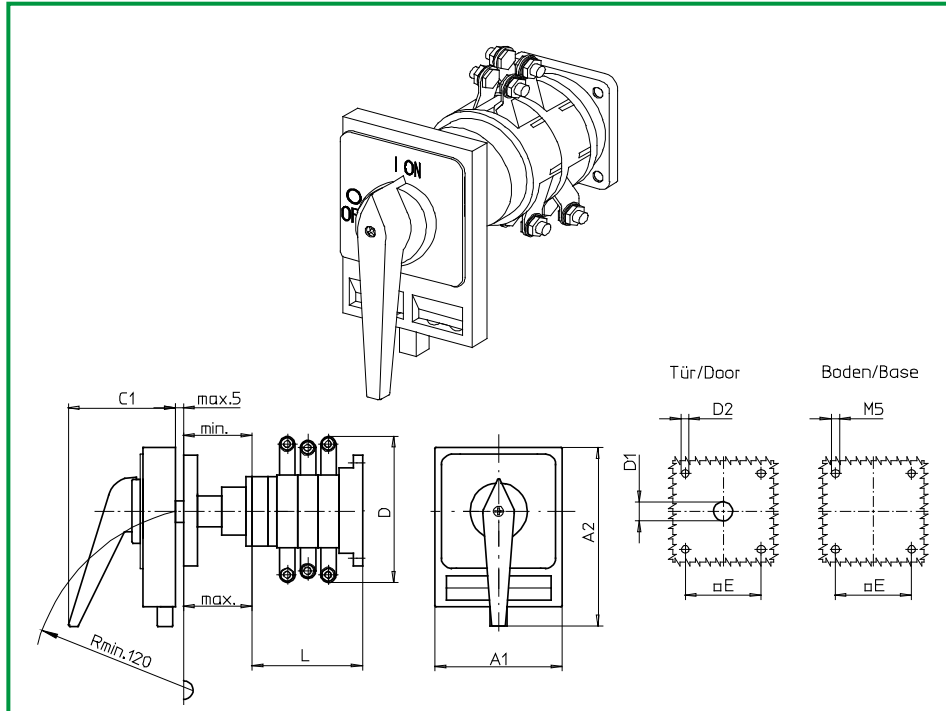
034N4 (IP55)

Complete Switch	Poles	Product lines	Rated Data (IEC 60947)			Order Code Number							
			Operational current I _e	Operational power at 380–440V									
			AC-21A A	AC-23A kW	AC-3 kW								
Main Switches Switching angle 90° OFF position padlockable 09h	3 ... 8	K616	160	75	45	K616 - 41 ... - 034N1							
Main/Emergency-Off Switches Switching angle 90° OFF position padlockable 09h	3 ... 8	K616	160	75	45	K616 - 41 ... - 034N4							
SMD modules for basic switch Mounting form module for 034N. M-padlock device 88 x 88 mm, mounting form 034N1 Escutcheon black, padlockable handle black	(GA A12)			K616		BFA6 - 042 6KN1							
M-padlock device 88 x 88 mm, mounting form 034N4 Escutcheon yellow, padlockable handle red						6KN4							
Terminal cover				1 x		TCC6							
Dimensions (mm)													
Type	A	C1	D*	D1	D2	E	min.	max	L with ... stages				
K616	88	45	150	15	5,5	68	48	60	1	2	3	4	
									72	104	136	168	
Switching programmes													
41300, 41400, 41600, 41800													

* terminal lugs included

Base Mounting Switches

sälzer



Product line
K616

Base mounting switch

Door interlock

Four hole mounting

68 x 68 mm base
68 x 68 mm front

034H1 (IP55)

034H4 (IP55)

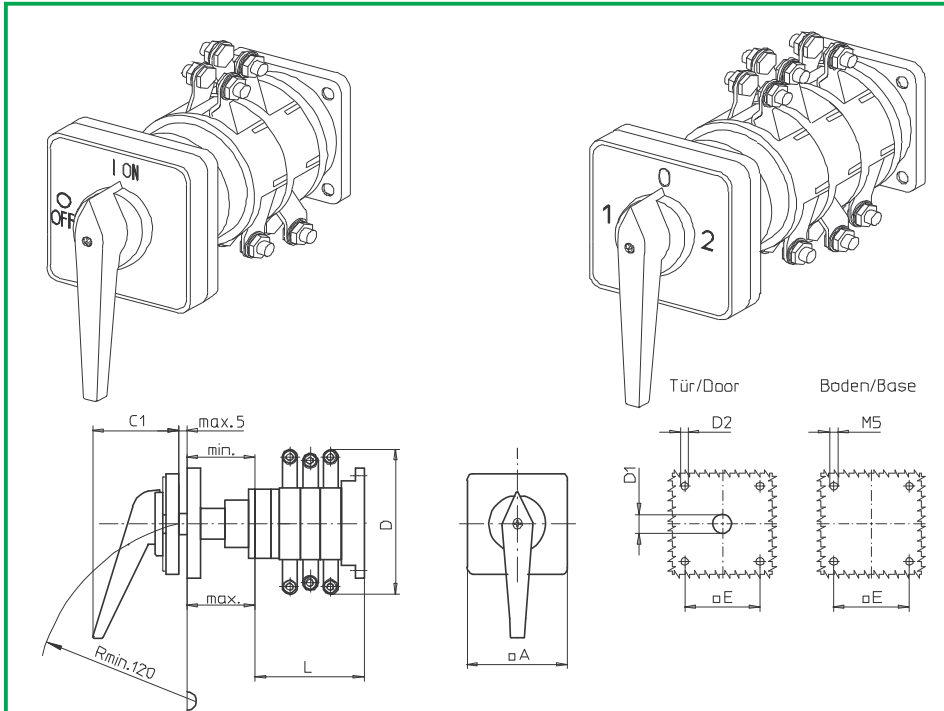
Complete Switch	Poles	Product lines	Rated Data (IEC 60947)			Order Code Number
			Operational current I _e	Operational power at 380–440V		
			AC-21A A	AC-23A kW	AC-3 kW	
Main Switches Switching angle 90° OFF position padlockable 09h	3 ... 8	K616	160	75	45	K616 - 41 ... - 034H1
Main/Emergency-Off Switches Switching angle 90° OFF position padlockable 09h	3 ... 8	K616	160	75	45	K616 - 41 ... - 034H4

SMD modules for basic switch	(GA A12)		
Mounting form module for 034H.		K616	BFA6 - 042
H-operator module 100 x 125 mm, mounting form 034H1 padlock device black, padlockable handle black			6CH1-09
H-operator module 100 x 125 mm, mounting form 034H4 padlock device black, padlockable handle red			6CH4-09
Legend plate silver, operator module 034H1			FAS6 - (FA number)
Legend plate yellow, operator module 034H4			FBS6 - (FA number)
Terminal cover		1 x	TCC6

Dimensions (mm)													
Type	A1	A2	C1	D*	D1	D2	E	min.	max.	L with ... stages			
										1	2	3	4
K616	98	142	83	150	15	5,5	68	48	60	72	104	136	168
Switching programmes													
41300, 41400, 41600, 41800													

* terminal lugs included

Base Mounting Switches



Product line
K616

Base mounting switch

Door interlock

Four hole mounting
 68 x 68 mm base
 68 x 68 mm front

042G1 (IP55)

Complete Switch	Poles	Product lines	Rated Data (IEC 60947)			Order Code Number
			Operational current I _e	Operational power at 380–440V		
			AC-21A A	AC-23A kW	AC-3 kW	
ON-OFF Switches Switching angle 90° Starting position of the handle 09h	3 ... 8	K616	160	75	45	K616 - 41 ... - 042G1
Changeover with OFF Switching angle 90° Starting position of the handle 12h	3 ... 4	K616	160	75	45	K616 - 71 ... - 042G1

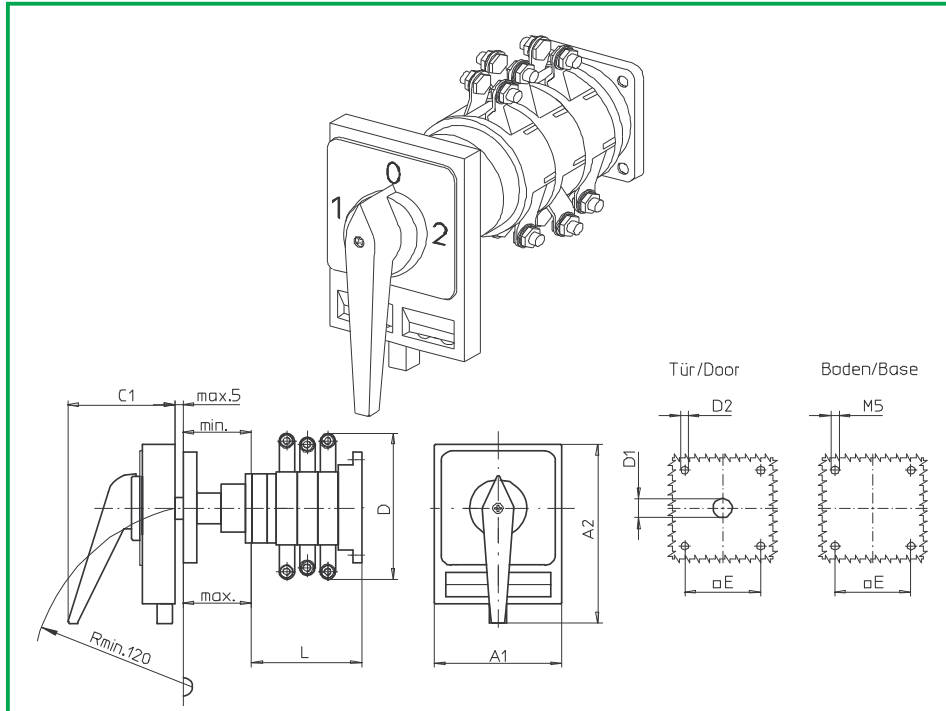
SMD modules for basic switch	(GA A02)		
Mounting form module for 042G1		K616	BFA6 - 042
G-operator module 88 x 88 mm, mounting form 042G1 Escutcheon black, handle black; Starting position of the handle 09h			6AG1
G-operator module 88 x 88 mm, mounting form 042G1 Escutcheon black, handle black; Starting position of the handle 12h			6BG1
Legend plate silver, operator module 042G1			FAS6 - (FA number)

Dimensions (mm)												
Type	A	C1	D*	D1	D2	E	min.	max	L with ... stages			
									1	2	3	4
K616	88	66	150	15	5,5	68	48	60	72	104	136	168

Switching programmes
 41300, 41400, 41600, 41800
 71300, 71400

* terminal lugs included

Base Mounting Switches



**Product line
K616**

Base mounting switch

Door interlock

Four hole mounting

68 x 68 mm base
68 x 68 mm front

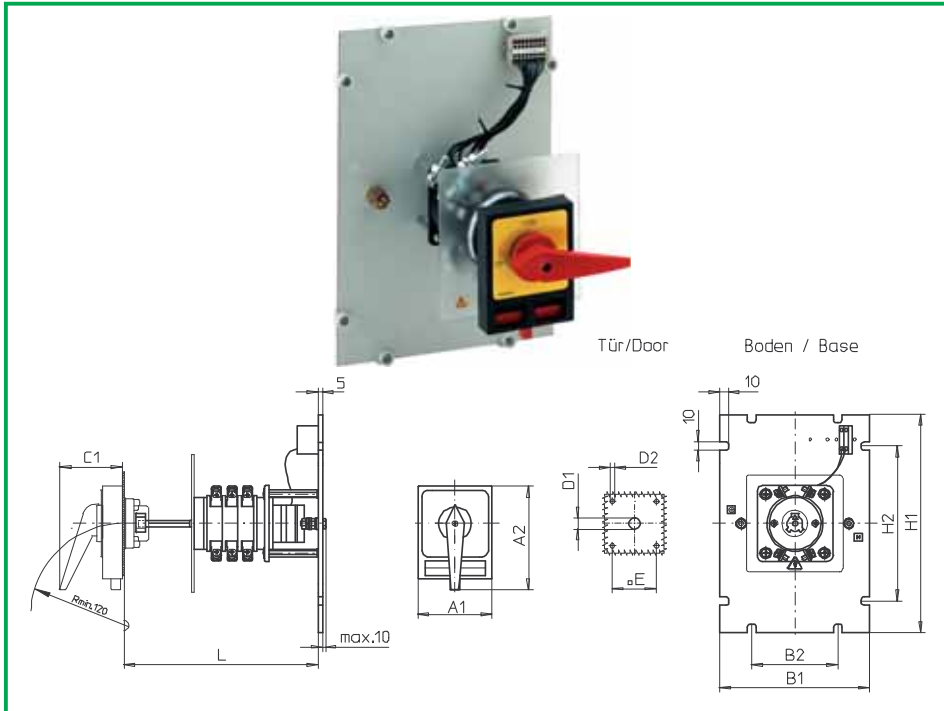
042H1 (IP55)

043H1 (IP55)

Complete Switch	Poles	Product lines	Rated Data (IEC 60947)			Order Code Number								
			Operational current I _e	Operational power at 380–440V										
			AC-21A A	AC-23A kW	AC-3 kW									
Changeover with OFF Switching angle 90° OFF position padlockable 12h	3 ... 4	K616	160	75	45	K616 - 71 ... - 042H1								
Changeover with OFF Switching angle 90° 3 positions padlockable (09h/12h/03h)	3 ... 4	K616	160	75	45	K616 - 71 ... - 043H1								
SMD modules for basic switch		(GA A02)												
Mounting form module for 042H1/ 043H1			K616			BFA6 - 042								
H-operator module 100 x 125 mm, mounting form 042H1 padlock device black, H-handle black						6EH1 - 12								
H-operator module 100 x 125 mm, mounting form 043H1 padlock device black, H-handle black						6EH1 - 99								
Legend plate silver, operator module 042H1/ 043H1						FAS6 - (FA number)								
Dimensions (mm)														
Type	A1	A2	C1	D*	D1	D2	E	min.	max	L with ... stages				
K616	98	142	83	150	15	5,5	68	48	60	1	2	3	4	
Switching programmes 71300, 71400														

* terminal lugs included

Base Mounting Switches



**Product line
K616**

Base mounting switch

**Door interlock
with mounting plate**

Four hole mounting

150 x 270 mm base

48 x 48 mm front

483H1 (IP66)

483H4 (IP66)

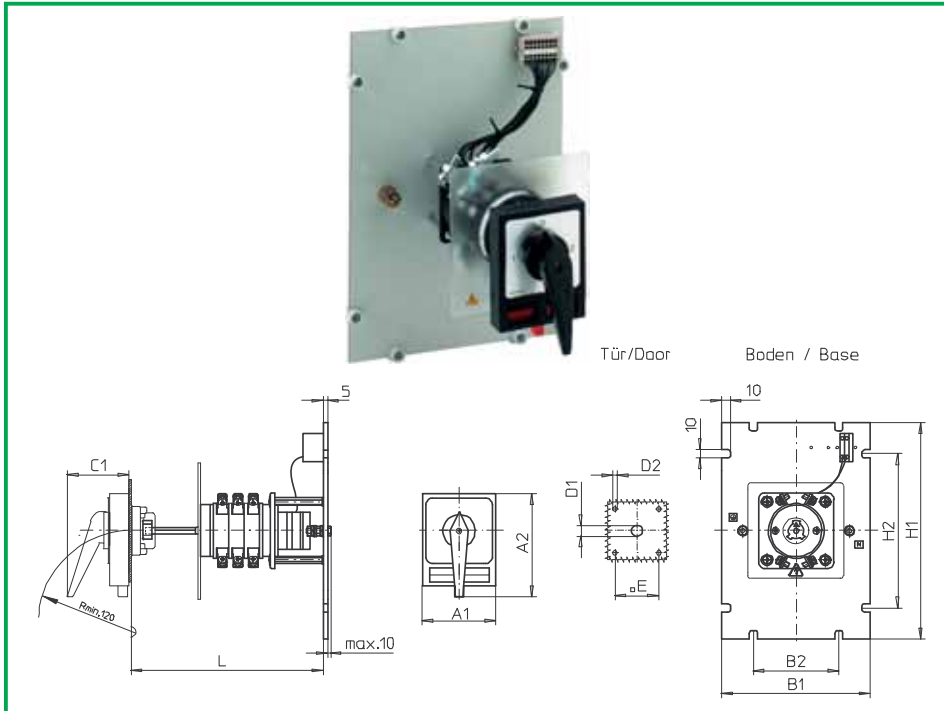
Complete Switch	Poles	Product lines	Rated Data (IEC 60947)			Order Code Number
			Operational current I _e	Operational power at 380–440V		
			AC-21A A	AC-23A kW	AC-3 kW	
Main Switches Switching angle 90° OFF position padlockable 09h	3 ... 8	K616	160	75	45	K616 - 41 ... - 483H1
Main/Emergency-Off Switches Switching angle 90° OFF position padlockable 09h	3 ... 8	K616	160	75	45	K616 - 41 ... - 483H4

SMD modules for basic switch	(GA A02)					
Mounting form module for 483H.				K616		BFA6 - 042
H-operator module 100 x 125 mm, mounting form 483H1 padlock device black, H-handle black						6CH1-09
H-operator module 100 x 125 mm, mounting form 483H4 padlock device black, H-handle red						6CH4-09
Legend plate silver, operator module 483H1						FAS6 - (FA number)
Legend plate yellow, operator module 483H4						FBS6 - (FA number)

Dimensions (mm)												
Type	A1	A2	B1	B2	C1	D1	D2	E	H1	H2	Switching programmes	L
K616	98	142	260	150	83	15	5,5	68	380	270	41300, 41400 other programmes	150 255
Switching programmes												
41300, 41400, 41600, 41800												
71300, 71400												

* terminal lugs included

Base Mounting Switches



**Product line
K616**

Base mounting switch

**Door interlock
with mounting plate**

Four hole mounting
150 x 270 mm base
48 x 48 mm front

484H1 (IP66)

Complete Switch	Poles	Product lines	Rated Data (IEC 60947)			Order Code Number						
			Operational current I _e	Operational power at 380–440V								
			AC-21A A	AC-23A kW	AC-3 kW							
Changeover with OFF Switching angle 90° OFF position padlockable 12h	3 ... 4	K616	160	75	45	K616 - 71 ... - 484H1						
SMD modules for basic switch		(GA A02)										
Mounting form module for 484H1			K616			BFA6 - 042						
H-operator module 100 x 125 mm, mounting form 484H1 padlock device black, H-handle black						6EH1 - 12						
Legend plate silver, operator module 484H1						FAS6 - (FA number)						
Dimensions (mm)												
Type	A1	A2	B1	B2	C1	D1	D2	E	H1	H2	L	
K616	98	142	260	150	83	15	5,5	68	380	270	255	
Switching programmes												
71300, 71311, 71322, 71400												

* terminal lugs included

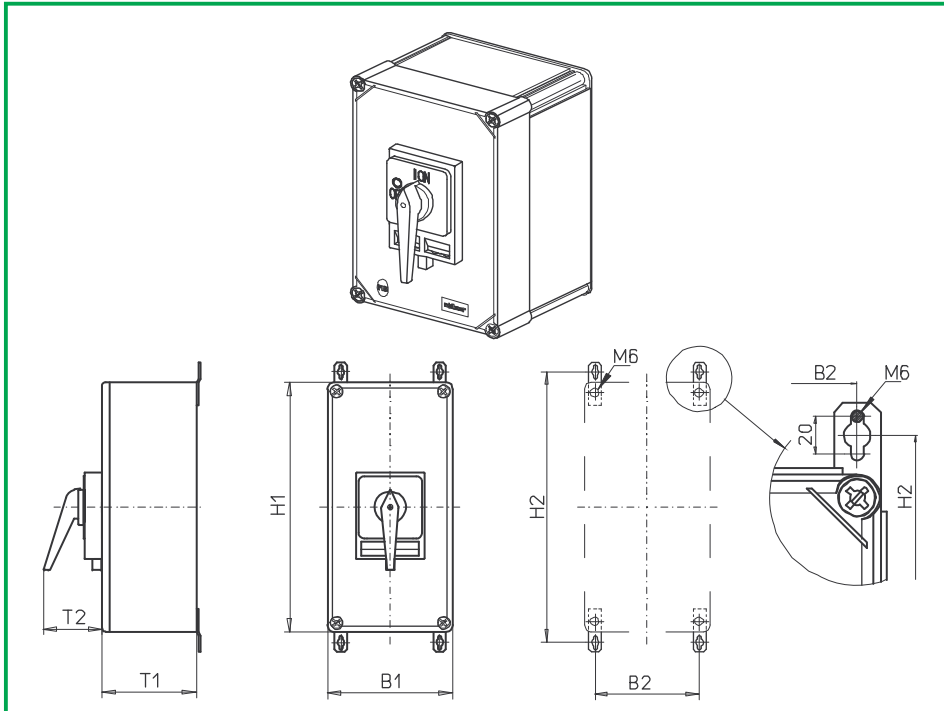


Section C

	Page	
	from	to
Insulated enclosures	C1-1	C1-3
Mild steel enclosures	C2-1	C2-2

Originator: Sälzer Electric GmbH · Product Data Management (PDM) · 09306 Rochlitz (Germany)
Copyright reserved by Sälzer Electric GmbH. This document replaces all previous issues.
Valid until a new version is published. Changes and revisions reserved.

Enclosed Switches



Product line
K616

Enclosed switches

Insulated enclosures
440 x 320 x 180 mm

With cover interlock
in ON position

Cable entries
Blank gland plates

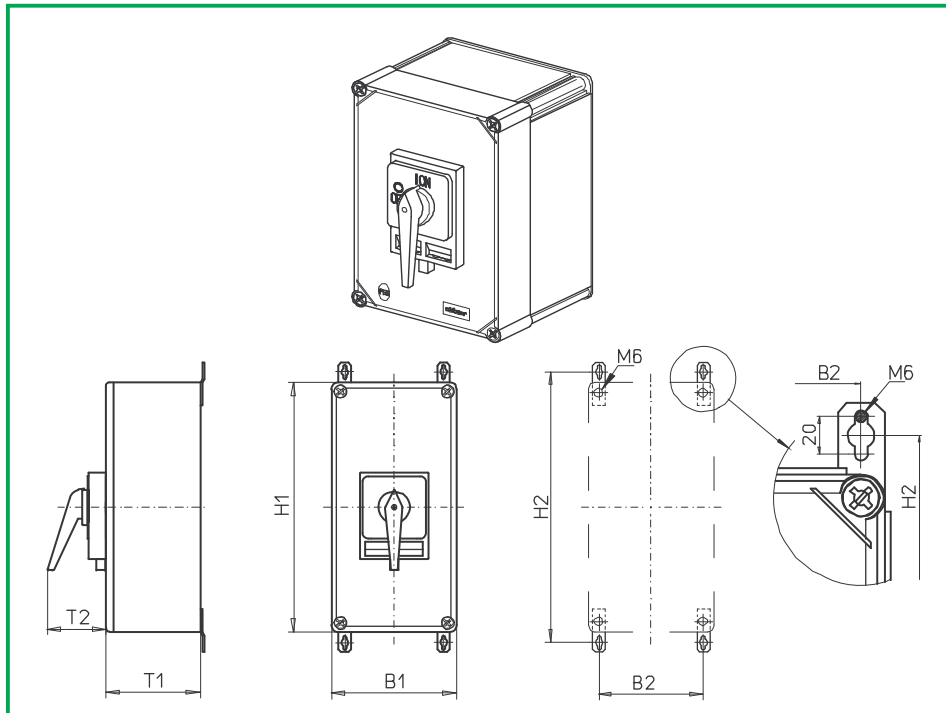
077H1 (IP66)

077H4 (IP66)

Complete Switch	Poles	Product lines	Rated Data (IEC 60947)			Order Code Number
			Operational current I _e	Operational power at 380–440V		
			AC-21A A	AC-23A kW	AC-3 kW	
Main Switches Switching angle 90° OFF position padlockable 09h	3 ... 4	K616	160	75	45	K616 - 41 ... - 077H1
Main/Emergency-Off Switches Switching angle 90° OFF position padlockable 09h	3 ... 4	K616	160	75	45	K616 - 41 ... - 077H4
SMD modules for switch module						
Mounting form module			K616			K616- 41 ... - ED
Enclosure module, mounting form 077H1 H-padlock device black						PAK6-077H1
Enclosure module, mounting form 077H4 H-padlock device yellow/red						PAK6-077H4
Dimensions (mm)						
Product line	H1	H2	B1	B2	T1	T2
K616	440	480	320	293	180	83
Switching programmes						
Main Switches and	3-pole	41300				
Main/Emergency-Off Switches	4-pole	41400				

Enclosed Switches

sälzer



**Product line
K616**

Enclosed switches

Insulated enclosures
440 x 320 x 255 mm

With cover interlock
in ON position

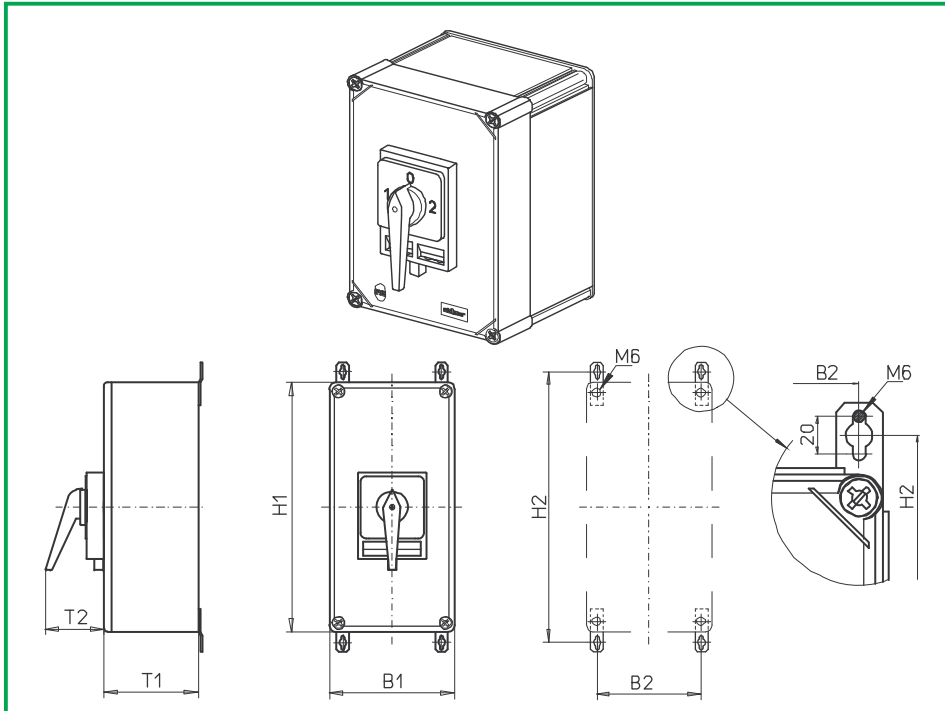
Cable entries
Blank gland plates

177H1 (IP66)

177H4 (IP66)

Complete Switch	Poles	Product lines	Rated Data (IEC 60947)			Order Code Number
			Operational current I _e	Operational power at 380–440V		
			AC-21A A	AC-23A kW	AC-3 kW	
Main Switches Switching angle 90° OFF position padlockable 09h	3 ... 8	K616	160	75	45	K616 - 41 ... - 177H1
Main/Emergency-Off Switches Switching angle 90° OFF position padlockable 09h	3 ... 8	K616	160	75	45	K616 - 41 ... - 177H4
SMD modules for switch module						
Mounting form module			K616			K616- 41 ... - ED
Enclosure module, mounting form 177H1 H-padlock device black						PAK6-177H1
Enclosure module, mounting form 177H4 H-padlock device yellow/red						PAK6-177H4
Dimensions (mm)						
Product line	H1	H2	B1	B2	T1	T2
K616	440	480	320	293	255	83
Switching programmes						
Main Switches and Main/Emergency-Off Switches	3- / 4-pole	41311, 41320, 41411, 41420				
	6-pole	41600, 41611, 41620				
	8-pole	41800				

Enclosed Switches



Product line
K616

Enclosed switches

Insulated enclosures
440 x 320 x 255 mm

With cover interlock
in position 1 and 2

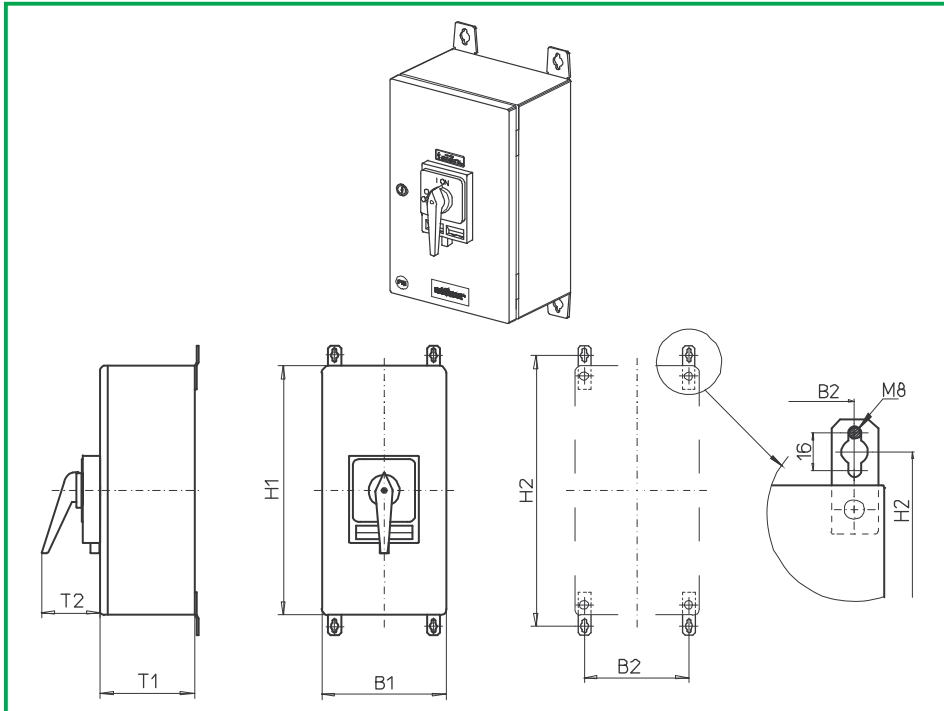
Cable entries
Blank gland plates

176H1 (IP66)

Complete Switch	Poles	Product lines	Rated Data (IEC 60947)			Order Code Number
			Operational current I _e	Operational power at 380–440V		
			AC-21A A	AC-23A kW	AC-3 kW	
Changeover with OFF Switching angle 90° OFF position padlockable 12h	3 ... 4	K616	160	75	45	K616 - 71 ... - 176H1
SMD modules for switch module						
Mounting form module			K616			K616- 41 ... - ED
Enclosure module, mounting form 176H1 H-padlock device black						PAK6 - 176H1
Dimensions (mm)						
Product line	H1	H2	B1	B2	T1	T2
K616	440	480	320	293	255	83
Switching programmes						
Changeover Switches	3-pole	71300, 71311, 71322				
	4-pole	71400				

Enclosed Switches

sälzer



**Product line
K616**

Enclosed switches

Mild steel enclosures
500 x 400 x 300 mm

With cover interlock
in ON position

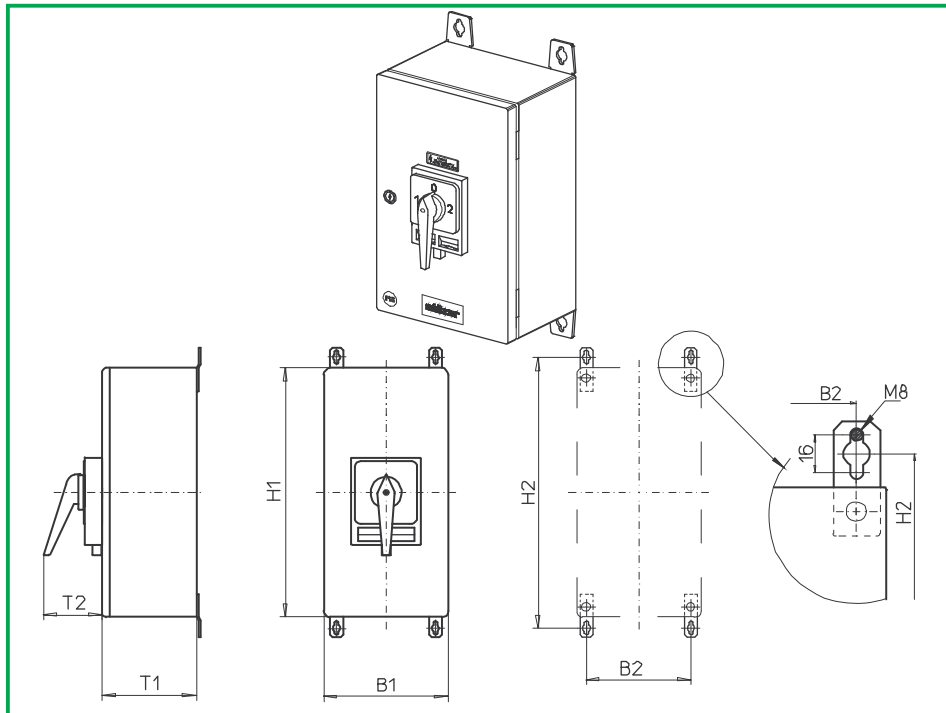
Cable entries
Blank gland plates

187H1 (IP66)
187H4 (IP66)

Complete Switch	Poles	Product lines	Rated Data (IEC 60947)			Order Code Number
			Operational current I _e	Operational power at 380–440V		
			AC-21A A	AC-23A kW	AC-3 kW	
Main Switches Switching angle 90° OFF position padlockable 09h	3 ... 8	K616	160	75	45	K616 - 41 ... - 187H1
Main/Emergency-Off Switches Switching angle 90° OFF position padlockable 09h	3 ... 8	K616	160	75	45	K616 - 41 ... - 187H4
SMD modules for switch module						
Mounting form module			K616			K616- 41 ... - SED
Enclosure module, mounting form 187H1 H-padlock device black						SAK6-187H1
Enclosure module, mounting form 187H4 H-padlock device yellow/red						SAK6-187H4
Dimensions (mm)						
Product line	H1	H2	B1	B2	T1	T2
K616	500	545	400	360	300	83
Switching programmes						
Main Switches and Main/Emergency-Off Switches	3-/4-pole	41300, 41311, 41320, 41400, 41411, 41420				
	6-pole	41600, 41611, 41620				
	8-pole	41800				

Enclosed Switches

sälzer



Product line
K616

Enclosed switches

Mild steel enclosures
500 x 400 x 300 mm

With cover interlock
in position 1 and 2

Cable entries
Blank gland plates

186H1(IP66)

Complete Switch	Poles	Product lines	Rated Data (IEC 60947)			Order Code Number
			Operational current I _e	Operational power at 380–440V		
			AC-21A A	AC-23A kW	AC-3 kW	
Changeover with OFF Switching angle 90° OFF position padlockable 12h	3 ... 4	K616	160	75	45	K616 - 71 ... - 186H1
SMD modules for switch module						
Mounting form module			K616			K616- 71 ... - SED
Enclosure module, mounting form 186H1 H-padlock device black						SAK6 - 186H1
Dimensions (mm)						
Product line	H1	H2	B1	B2	T1	T2
K616	500	545	400	360	300	83
Switching programmes						
Changeover Switches	3-pole	71300, 71311, 71322				
	4-pole	71400				



Section D

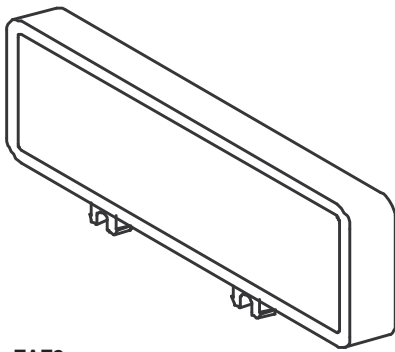
Page
from to

Additional top escutcheon plates

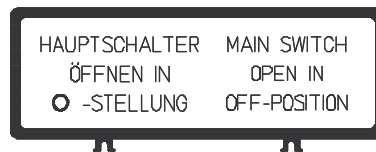
D1-1

D1-2

Originator: Sälzer Electric GmbH · Product Data Management (PDM) · 09306 Rochlitz (Germany)
Copyright reserved by Sälzer Electric GmbH. This document replaces all previous issues.
Valid until a new version is published. Changes and revisions reserved.



FAZ2
Escutcheon frame plate black
(without legend plate)



FAZ2 - 8041

**Product line
K616**

**Additional top
escutcheon plates**

to put on escutcheons
and padlock devices
(also in connection with
enclosures)

FAZ2 -

Additional top escutcheon plates

with additional inscription to be clipped on to the escutcheon and padlock devices

- Escutcheon frame plate black, legend plate silver, without inscription (can be engraved)
- Escutcheon frame plate black, legend plate silver, inscription FA 8...*
- Escutcheon frame plate black, legend plate silver, special engraving
- Escutcheon frame plate black, legend plate yellow, without inscription (can be engraved)
- Escutcheon frame plate black, legend plate yellow, inscription FA 8...*
- Escutcheon frame plate black, legend plate yellow, special engraving
- Escutcheon frame plate black (without legend plate)

- FAZ2 - 8000**
- FAZ2 - 8 . . .**
- FAZ2 - (special no.)**
- FBZ2 - 8000**
- FBZ2 - 8 . . .**
- FBZ2 - (special no.)**
- FAZ2**

Legend plates

- Legend plate silver, without inscription (can be engraved)
- Legend plate silver, inscription FA 8...*
- Legend plate silver, special engraving
- Legend plate yellow, without inscription (can be engraved)
- Legend plate yellow, inscription FA 8...*
- Legend plate yellow, special engraving

- FAS2 - 8000**
- FAS2 - 8 . . .**
- FAS2 - (special no.)**
- FBS2 - 8000**
- FBS2 - 8 . . .**
- FBS2 - (special no.)**

* inscription FA8... see next page

HAUPTSCHALTER MAIN SWITCH
 ÖFFNEN IN OPEN IN
 O-STELLUNG OFF-POSITION

Example: Legend plate silver **FAS2 - 8041**
 for top escutcheon plate FAZ2-8041

**Product line
 K616**

Legend plates
 for additional top
 escutcheon plates

FAS2 - 8 ...
FBS2 - 8 ...

Legend plates for Additional top escutcheon plates

Legend plate silver, without inscription (can be engraved)
 Legend plate silver, inscription FA 8...
 Legend plate silver, special engraving

Legend plate yellow, without inscription (can be engraved)
 Legend plate yellow, inscription FA 8...
 Legend plate yellow, special engraving

FAS2 - 8000
FAS2 - 8 ...
FAS2 - (special no.)

FBS2 - 8000
FBS2 - 8 ...
FBS2 - (special no.)

Legend plates, inscription FA 8...

FA 8000	FA 8001	FA 8002	FA 8003	FA 8004	FA 8005
FA 8006	FA 8007	FA 8008	FA 8009	FA 8010	FA 8011
FA 8012	FA 8013	FA 8014	FA 8015	FA 8016	FA 8017
FA 8018	FA 8019	FA 8021	FA 8023	FA 8024	FA 8025
FA 8026	FA 8027	FA 8028	FA 8029	FA 8030	FA 8031
FA 8032	FA 8033	FA 8034	FA 8035	FA 8036	FA 8037
FA 8038	FA 8039	FA 8040	FA 8041	FA 8042	FA 8044



Faster deliveries through SMD

In order to ensure even greater flexibility for worldwide supply availability within 24h, Sälzer Electric has introduced the SMD (Sälzer Modular Design) system.

SMD modules are individually prefabricated and tested all-in-one modules which SMD Service holds in stock in sufficient quantities. From basic switch modules, mounting form modules and operator modules, SMD Service can assemble a complete switch requested by the customer and pack it ready for delivery in just a few actions.

– back –