

All Metal Luer Lock Tip Catalogue

Adhesive Dispensing 2026



Precision Industrial Components

Aluminium Hub Precision Tips

Aluminium Luer Lock Hub to Stainless Steel Blunt End



AD Series Aluminium Blunt End Tips 0.50", 1", 1.5", 2" Long Tubes

Materials:	Aluminium Hub, Stainless Steel Tube
Attachment:	Luer Lock Thread (Single-Helix)
Flow Pattern:	Straight
Maximum Pressure:	100 PSI
Tube Length:	0.50" - 12.7mm, 1.0" - 25.4mm, 1.5" - 38.1mm, 2" - 50.8mm
Pack Sizes:	50 Pieces
Details:	Industrial Grade, Silicone Free
Commodity Code:	90289090
Brand:	Adhesive Dispensing Ltd



Our industrial-grade luer lock tips are silicone-free and chloride-free, ensuring contamination-free dispensing while safely operating at up to 100 PSI fluid pressure. Ideal for handling fluids, pastes, adhesives, lubricants, and solvent-based liquids, they deliver consistent flow and superior accuracy. Precision aluminium hub to burr-free stainless steel blunt-end tube. This tip range suits the most aggressive of fluids, chemicals, solvents and many adhesives and gels. The luer lock hub is welded to the tube and providing a more robust assembly. Tube lengths of 0.50 inch, 1.0 inch, 1.5 inch or 2.0 inch.

Enhanced Flow Design for Optimal Performance

The TSM series tips feature an advanced tapered internal design, where the stainless steel tube seamlessly integrates with the hub, minimizing back pressure and flow restriction.

- ✓ Lower pressure requirement for smooth dispensing with inner hub design
- ✓ Unobstructed material flow ensures efficiency and precision
- ✓ No protrusions inside the hub - guaranteeing consistent dispensing

Wide Range of Sizes & Configurations

Our aluminium hub series blunt tips are available in:

- Gauge sizes: 14 to 25 (1.55mm ID to 0.25mm ID)
- Tube lengths: 0.50" (12.7mm), 1.0" (25.4mm), 1.5" (38.1mm), 2" (50.8mm)
- Aluminium hubs to protect against aggressive solvents and chemicals

Reliable Supply & Fast Global Delivery

- ✓ Pack sizes: Securely sealed boxes of 50 or 500
- ✓ Batch-coded for full traceability
- ✓ Available for fast delivery worldwide

Suitable for dispensing:

- Adhesives
- Glues
- Flowable Silicones
- Primers & Activators
- Solder Pastes & Fluxes
- Braze Pastes & Fluxes
- Chemicals
- UV Cure Adhesives
- Solvents
- Lubricants & Grease
- Many more...



ADL brand Aluminium version



Gauge Size	Colour	Connection	0.50 Long	1.0" Long	1.5" Long	2.0" Long	Tube ID	Tube OD	Pack Sizes
14	Silver	Single Luer Lock	AD14-1/2M	AD14-1M	AD14-15M	AD14-2M	1.55mm	1.82mm	50 or 500 pcs
15	Silver	Single Luer Lock	AD15-1/2M	AD15-1M	AD15-15M	AD15-2M	1.37mm	1.69mm	50 or 500 pcs
16	Silver	Single Luer Lock	AD16-1/2M	AD16-1M	AD16-15M	AD16-2M	1.26mm	1.62mm	50 or 500 pcs
17	Silver	Single Luer Lock	AD17-1/2M	AD17-1M	AD17-15M	AD17-2M	1.04mm	1.32mm	50 or 500 pcs
18	Silver	Single Luer Lock	AD18-1/2M	AD18-1M	n/a	AD18-2M	0.84mm	1.27mm	50 or 500 pcs
20	Silver	Single Luer Lock	AD20-1/2M	n/a	n/a	n/a	0.71mm	1.14mm	50 or 500 pcs
25	Silver	Single Luer Lock	n/a	AD25-1M	n/a	n/a	0.25mm	0.51mm	50 or 500 pcs

TECHCON brand Aluminium version

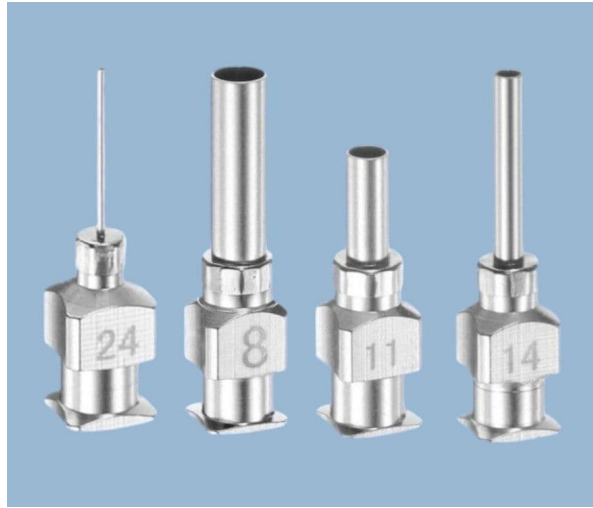


Gauge Size	Colour	Connection	0.50 Long	1.0" Long	2.0" Long	Tube ID	Tube OD	Pack Sizes
14	Silver	Single Luer Lock	TS14-1/2M-500	TS14-1M-500	TS14-2M-500	1.55mm	1.82mm	50 or 500 pcs
15	Silver	Single Luer Lock	n/a	TS15-1M-500	n/a	1.37mm	1.69mm	50 or 500 pcs
16	Silver	Single Luer Lock	n/a	TS16-1M-500	n/a	1.26mm	1.62mm	50 or 500 pcs

For the full website range, click [here](#)

ADSS All-Metal High Precision Tips

Nickel Plated Brass Luer Lock Hub to Stainless Steel Blunt End



AD Series All Metal Blunt End Tips

Materials: Aluminium Hub, Stainless Steel Tube
 Attachment: Luer Lock Thread (Single-Helix)
 Flow Pattern: Straight
 Maximum Pressure: 100 PSI
 Tube Length: 0.25", 0.50", 1.0", 1.5"
 Tube Outlet: Blunt-END
 Pack Sizes: 12 Pieces
 Details: Industrial Grade, Silicone Free
 Commodity Code: 90289090
 Brand: Adhesive Dispensing Ltd



Our ADSS needle series consist of a nickel plated brass luer lock hub welded to a stainless steel blunt end tube. This high quality line of dispensing needles is burr-free, and electro-polished shaft for unobstructed and consistent material flow. Dispensing tips are designed to work with standard syringes and fittings. These tips are fully compatible with most low, medium and high viscosity fluids, adhesives, inks, pastes, gels and lubricant. Tube length of 0.25 inch.

Enhanced Flow Design for Optimal Performance

The all metal tips feature an advanced tapered internal design, where the stainless steel tube seamlessly integrates with the hub, minimizing back pressure and flow restriction.

- ✓ Lower pressure requirement for smooth dispensing with inner hub design
- ✓ Unobstructed material flow ensures efficiency and precision
- ✓ No protrusions inside the hub - guaranteeing consistent dispensing

Wide Range of Sizes & Configurations

Our all metal series blunt tips are available in:

- Gauge sizes: 8 to 32 (3.28mm ID to 0.12mm ID)
- Tube lengths: 0.25" (6.35mm), 0.50" (12.7mm), 1.0" (25.4mm), 1.5" (38.1mm)
- Metal construction to protect against aggressive solvents and chemicals

Reliable Supply & Fast Global Delivery

- ✓ Pack sizes: Securely sealed boxes of 12 Pieces
- ✓ Batch-coded for full traceability
- ✓ Available for fast delivery worldwide



Suitable for dispensing:

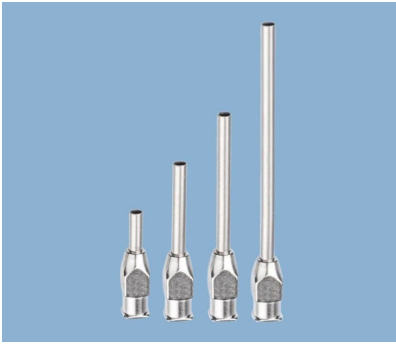
- Adhesives & Glues
- Flowable Silicones
- Primers & Activators
- Solder Pastes & Fluxes
- Braze Pastes & Fluxes
- Chemicals
- UV Cure Adhesives
- Solvents
- Lubricants & Grease
- Many more...

Gauge Size	Colour	Connection	0.25" Long	0.5 Long	1" Long	1.5" Long	Tube ID	Tube OD	Pack Size
8	Silver	Single Luer Lock	AD8SS-1/4	AD8SS-1/2	AD8SS-1	AD8SS-15	3.28mm	4.04mm	12 pcs
10	Silver	Single Luer Lock	AD10SS-1/4	AD10SS-1/2	AD10SS-1	AD10SS-15	2.50mm	3.30mm	12 pcs
11	Silver	Single Luer Lock	AD11SS-1/4	AD11SS-1/2	AD11SS-1	AD11SS-15	2.30mm	2.95mm	12 pcs
12	Silver	Single Luer Lock	AD12SS-1/4	AD12SS-1/2	AD12SS-1	AD12SS-15	2.29mm	2.75mm	12 pcs
13	Silver	Single Luer Lock	AD13SS-1/4	AD13SS-1/2	AD13SS-1	AD13SS-15	1.94mm	2.40mm	12 pcs
14	Silver	Single Luer Lock	AD14SS-1/4	AD14SS-1/2	AD14SS-1	AD14SS-15	1.64mm	2.10mm	12 pcs
15	Silver	Single Luer Lock	AD15SS-1/4	AD15SS-1/2	AD15SS-1	AD15SS-15	1.38mm	1.84mm	12 pcs
16	Silver	Single Luer Lock	AD16SS-1/4	AD16SS-1/2	AD16SS-1	AD16SS-15	1.20mm	1.65mm	12 pcs
17	Silver	Single Luer Lock	AD17SS-1/4	AD17SS-1/2	AD17SS-1	AD17SS-15	1.10mm	1.49mm	12 pcs
18	Silver	Single Luer Lock	AD18SS-1/4	AD18SS-1/2	AD18SS-1	AD18SS-15	0.91mm	1.25mm	12 pcs
19	Silver	Single Luer Lock	AD19SS-1/4	AD19SS-1/2	AD19SS-1	AD19SS-15	0.70mm	1.10mm	12 pcs
20	Silver	Single Luer Lock	AD20SS-1/4	AD20SS-1/2	AD20SS-1	AD20SS-15	0.60mm	0.90mm	12 pcs
21	Silver	Single Luer Lock	AD21SS-1/4	AD21SS-1/2	AD21SS-1	AD21SS-15	0.51mm	0.81mm	12 pcs
22	Silver	Single Luer Lock	AD22SS-1/4	AD22SS-1/2	AD22SS-1	AD22SS-15	0.40mm	0.71mm	12 pcs
23	Silver	Single Luer Lock	AD23SS-1/4	AD23SS-1/2	AD23SS-1	AD23SS-15	0.34mm	0.64mm	12 pcs
24	Silver	Single Luer Lock	AD24SS-1/4	AD24SS-1/2	AD24SS-1	AD24SS-15	0.31mm	0.56mm	12 pcs
25	Silver	Single Luer Lock	AD25SS-1/4	AD25SS-1/2	AD25SS-1	AD25SS-15	0.26mm	0.52mm	12 pcs
26	Silver	Single Luer Lock	AD26SS-1/4	AD26SS-1/2	AD26SS-1	AD26SS-15	0.25mm	0.46mm	12 pcs
27	Silver	Single Luer Lock	AD27SS-1/4	AD27SS-1/2	AD27SS-1	AD27SS-15	0.21mm	0.42mm	12 pcs
28	Silver	Single Luer Lock	AD28SS-1/4	AD28SS-1/2	AD28SS-1	AD28SS-15	0.18mm	0.38mm	12 pcs
30	Silver	Single Luer Lock	AD30SS-1/4	AD30SS-1/2	AD30SS-1	AD30SS-15	0.16mm	0.31mm	12 pcs
32	Silver	Single Luer Lock	AD32SS-1/4	AD32SS-1/2	AD32SS-1	n/a	0.12mm	0.25mm	12 pcs

For the full website range, click [here](#)

TSS All-Metal High Precision Tips

Nickel Plated Brass Luer Lock Hub to Stainless Steel Blunt End



TSS Series All Metal Blunt End Tips

Materials: Aluminium Hub, Stainless Steel Tube
 Attachment: Luer Lock Thread (Single-Helix)
 Flow Pattern: Straight
 Maximum Pressure: 100 PSI
 Tube Length: 0.25", 0.5", 1", 1.5", 2", 3", 4", 5", 6"
 Pack Sizes: 10 Pieces
 Details: Industrial Grade, Silicone Free
 Commodity Code: 90289090
 Brand: Adhesive Dispensing Ltd



Our highest quality TSS needle series consist of a nickel plated brass luer lock hub welded to a stainless steel blunt end tube. This high quality line of dispensing needles is burr-free, and electro-polished shaft for unobstructed and consistent material flow. Dispensing tips are designed to work with standard syringes and fittings. These tips are fully compatible with most low, medium and high viscosity fluids, adhesives, inks, pastes, gels and lubricant. Tube length of 0.25 inch.

Enhanced Flow Design for Optimal Performance

The all-metal tips feature an advanced tapered internal design, where the stainless steel tube seamlessly integrates with the hub, minimizing back pressure and flow restriction.

- ✓ Lower pressure requirement for smooth dispensing with inner hub design
- ✓ Unobstructed material flow ensures efficiency and precision
- ✓ No protrusions inside the hub - guaranteeing consistent dispensing

Wide Range of Sizes & Configurations

Our all metal series blunt tips are available in:

- Gauge sizes: 4 to 30 (5.08mm ID to 0.16mm ID)
- Tube lengths: 0.25" (6.35mm), 0.5" (12.7mm), 1" (25.4mm), 1.5" (38.1mm), 2" (50.8mm), 3" (76.2mm), 4" (101.6mm), 5" (127mm), 6" (152.4mm)
- Metal construction to protect against aggressive solvents and chemicals

Reliable Supply & Fast Global Delivery

- ✓ Pack sizes: Securely sealed boxes of 10 Pieces
- ✓ Batch-coded for full traceability
- ✓ Available for fast delivery worldwide



Suitable for dispensing:

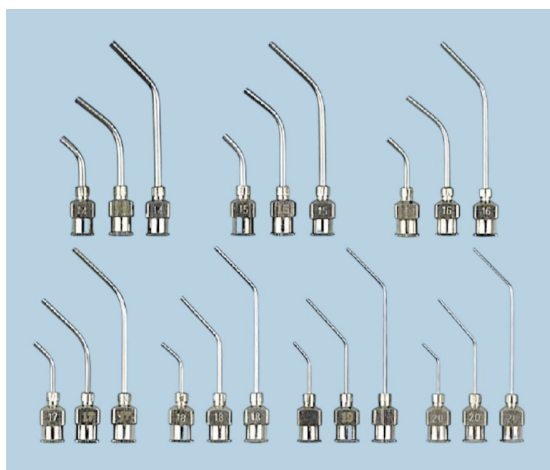
- Adhesives & Glues
- Flowable Silicones
- Primers & Activators
- Solder Pastes & Fluxes
- Braze Pastes & Fluxes
- Chemicals
- UV Cure Adhesives
- Solvents
- Lubricants & Grease
- Many more...

Gauge	Colour	0.25" Long	0.5 Long	1" Long	1.5" Long	2" Long	3" Long	4" Long	5" Long	6" Long	Tube ID	Tube OD
4	Silver	n/a	TS4SS-1/2	TS4SS-1	TS4SS-15	TS4SS-2	TS4SS-3	TS4SS-4	TS4SS-5	TS4SS-6	5.08mm	6.00mm
5	Silver	n/a	TS5SS-1/2	TS5SS-1	TS5SS-15	TS5SS-2	TS5SS-3	TS5SS-4	TS5SS-5	TS5SS-6	4.50mm	5.50mm
6	Silver	TS6SS-1/4	TS6SS-1/2	TS6SS-1	TS6SS-15	TS6SS-2	TS6SS-3	TS6SS-4	TS6SS-5	TS6SS-6	4.04mm	4.98mm
7	Silver	TS7SS-1/4	TS7SS-1/2	TS7SS-1	TS7SS-15	TS7SS-2	TS7SS-3	TS7SS-4	TS7SS-5	TS7SS-6	3.66mm	4.49mm
8	Silver	TS8SS-1/4	TS8SS-1/2	TS8SS-1	TS8SS-15	TS8SS-2	TS8SS-3	TS8SS-4	TS8SS-5	TS8SS-6	3.28mm	4.04mm
9	Silver	TS9SS-1/4	TS9SS-1/2	TS9SS-1	TS9SS-15	TS9SS-2	TS9SS-3	TS9SS-4	TS9SS-5	TS9SS-6	2.87mm	3.69mm
10	Silver	TS10SS-1/4	TS10SS-1/2	TS10SS-1	TS10SS-15	TS10SS-2	TS10SS-3	TS10SS-4	TS10SS-5	TS10SS-6	2.50mm	3.30mm
11	Silver	TS11SS-1/4	TS11SS-1/2	TS11SS-1	TS11SS-15	TS11SS-2	TS11SS-3	TS11SS-4	TS11SS-5	TS11SS-6	2.30mm	2.95mm
12	Silver	TS12SS-1/4	TS12SS-1/2	TS12SS-1	TS12SS-15	TS12SS-2	TS12SS-3	TS12SS-4	TS12SS-5	TS12SS-6	2.29mm	2.75mm
13	Silver	TS13SS-1/4	TS13SS-1/2	TS13SS-1	TS13SS-15	TS13SS-2	TS13SS-3	TS13SS-4	TS13SS-5	TS13SS-6	1.94mm	2.40mm
14	Silver	TS14SS-1/4	TS14SS-1/2	TS14SS-1	TS14SS-15	TS14SS-2	TS14SS-3	TS14SS-5	TS14SS-5	TS14SS-6	1.64mm	2.10mm
15	Silver	TS15SS-1/4	TS15SS-1/2	TS15SS-1	TS15SS-15	TS15SS-2	TS15SS-3	TS15SS-4	TS15SS-5	TS15SS-6	1.38mm	1.84mm
16	Silver	TS16SS-1/4	TS16SS-1/2	TS16SS-1	TS16SS-15	TS16SS-2	TS16SS-3	TS16SS-4	TS16SS-5	TS16SS-6	1.20mm	1.65mm
17	Silver	TS17SS-1/4	TS17SS-1/2	TS17SS-1	TS17SS-15	TS17SS-2	TS17SS-3	TS17SS-4	TS17SS-5	TS17SS-6	1.09mm	1.59mm
18	Silver	TS18SS-1/4	TS18SS-1/2	TS18SS-1	TS18SS-15	TS18SS-2	TS18SS-3	TS18SS-4	TS18SS-5	TS18SS-6	0.91mm	1.25mm
19	Silver	TS19SS-1/4	TS19SS-1/2	TS19SS-1	TS19SS-15	TS19SS-2	TS19SS-3	TS19SS-4	TS19SS-5	TS19SS-6	0.70mm	1.10mm
20	Silver	TS20SS-1/4	TS20SS-1/2	TS20SS-1	TS20SS-15	TS20SS-2	TS20SS-3	TS20SS-4	TS20SS-5	TS20SS-6	0.60mm	0.90mm
21	Silver	TS21SS-1/4	TS21SS-1/2	TS21SS-1	TS21SS-15	TS21SS-2	TS21SS-3	TS21SS-4	TS21SS-5	TS21SS-6	0.51mm	0.81mm
22	Silver	TS22SS-1/4	TS22SS-1/2	TS22SS-1	TS22SS-15	TS22SS-2	TS22SS-3	TS22SS-4	TS22SS-5	TS22SS-6	0.40mm	0.71mm
23	Silver	TS23SS-1/4	TS23SS-1/2	TS23SS-1	TS23SS-15	TS23SS-2	TS23SS-3	TS23SS-4	TS23SS-5	TS23SS-6	0.34mm	0.64mm
24	Silver	TS24SS-1/4	TS24SS-1/2	TS24SS-1	TS24SS-15	TS24SS-2	TS24SS-3	TS24SS-5	TS24SS-5	TS24SS-6	0.31mm	0.56mm
25	Silver	TS25SS-1/4	TS25SS-1/2	TS25SS-1	TS25SS-15	TS25SS-2	TS25SS-3	TS25SS-4	TS25SS-5	TS25SS-6	0.26mm	0.51mm
26	Silver	TS26SS-1/4	TS26SS-1/2	TS26SS-1	TS26SS-15	TS26SS-2	TS26SS-3	TS26SS-4	TS26SS-5	TS26SS-6	0.25mm	0.46mm
27	Silver	TS27SS-1/4	TS27SS-1/2	TS27SS-1	TS27SS-15	TS27SS-2	TS27SS-3	TS27SS-4	TS27SS-5	TS27SS-6	0.21mm	0.41mm
28	Silver	TS28SS-1/4	TS28SS-1/2	TS28SS-1	TS28SS-15	TS28SS-2	n/a	n/a	n/a	n/a	0.18mm	0.36mm
29	Silver	TS29SS-1/4	TS29SS-1/2	TS29SS-1	TS29SS-15	TS29SS-2	n/a	n/a	n/a	n/a	0.17mm	0.34mm
30	Silver	TS30SS-1/4	TS30SS-1/2	TS30SS-1	TS30SS-15	n/a	n/a	n/a	n/a	n/a	0.16mm	0.31mm

For the full website range, click [here](#)

ADSS Series 45° Bend Angled Tips

Nickel Plated Brass Luer Lock Hub to Stainless Steel Bent Blunt End



AD Series All Metal Blunt End 45° Angled Tips

Materials: Aluminium Hub, Stainless Steel Tube
 Attachment: Luer Lock Thread (Single-Helix)
 Flow Pattern: 45°
 Maximum Pressure: 100 PSI
 Tube Length: 0.50", 1.0", 1.5"
 Tube Outlet: Blunt-End
 Pack Sizes: 12 Pieces
 Details: Industrial Grade, Silicone Free
 Commodity Code: 90289090
 Brand: Adhesive Dispensing Ltd



Our ADSS needle series consist of a nickel plated brass luer lock hub welded to a stainless steel blunt end tube. This high quality line of dispensing needles is burr-free, and electro-polished shaft for unobstructed and consistent material flow. Dispensing tips are designed to work with standard syringes and fittings. These tips are fully compatible with most low, medium and high viscosity fluids, adhesives, inks, pastes, gels and lubricant. With a 45° bend angled blunt-end tube. For reaching into more difficult areas.

Enhanced Flow Design for Optimal Performance

The all metal tips feature an advanced tapered internal design, where the stainless steel tube seamlessly integrates with the hub, minimizing back pressure and flow restriction.

- ✓ Lower pressure requirement for smooth dispensing with inner hub design
- ✓ Unobstructed material flow ensures efficiency and precision
- ✓ No protrusions inside the hub - guaranteeing consistent dispensing

Wide Range of Sizes & Configurations

Our all metal bent series blunt tips are available in:

- Gauge sizes: 10 to 34 (2.50mm ID to 0.08mm ID)
- Tube lengths: 0.50" (12.7mm), 1.0" (25.4mm), 1.5" (38.1mm)
- Metal construction to protect against aggressive solvents and chemicals

Reliable Supply & Fast Global Delivery

- ✓ Pack sizes: Securely sealed boxes of 12 Pieces
- ✓ Batch-coded for full traceability
- ✓ Available for fast delivery worldwide



Suitable for dispensing:

- Adhesives & Glues
- Flowable Silicones
- Primers & Activators
- Solder Pastes & Fluxes
- Braze Pastes & Fluxes
- Chemicals
- UV Cure Adhesives
- Solvents
- Lubricants & Grease
- Many more...

Gauge Size	Colour	Angle Bend	Connection	0.5 Long	1" Long	1.5" Long	Tube ID	Tube OD	Pack Size
10	Silver	45°	Single Luer Lock	AD10SS45-1/2	AD10SS45-1	AD10SS45-15	2.80mm	3.50mm	12 pcs
11	Silver	45°	Single Luer Lock	AD11SS45-1/2	AD11SS45-1	AD11SS45-15	2.40mm	3.10mm	12 pcs
12	Silver	45°	Single Luer Lock	AD12SS45-1/2	AD12SS45-1	AD12SS45-15	2.27mm	2.77mm	12 pcs
13	Silver	45°	Single Luer Lock	AD13SS45-1/2	AD13SS45-1	AD13SS45-15	1.94mm	2.40mm	12 pcs
14	Silver	45°	Single Luer Lock	AD14SS45-1/2	AD14SS45-1	AD14SS45-15	1.64mm	2.10mm	12 pcs
15	Silver	45°	Single Luer Lock	AD15SS45-1/2	AD15SS45-1	AD15SS45-15	1.43mm	1.83mm	12 pcs
16	Silver	45°	Single Luer Lock	AD16SS45-1/2	AD16SS45-1	AD16SS45-15	1.25mm	1.65mm	12 pcs
17	Silver	45°	Single Luer Lock	AD17SS45-1/2	AD17SS45-1	AD17SS45-15	1.11mm	1.29mm	12 pcs
18	Silver	45°	Single Luer Lock	AD18SS45-1/2	AD18SS45-1	AD18SS45-15	0.92mm	1.28mm	12 pcs
19	Silver	45°	Single Luer Lock	AD19SS45-1/2	AD19SS45-1	AD19SS45-15	0.72mm	1.08mm	12 pcs
20	Silver	45°	Single Luer Lock	AD20SS45-1/2	AD20SS45-1	AD20SS45-15	0.61mm	0.91mm	12 pcs
21	Silver	45°	Single Luer Lock	AD21SS45-1/2	AD21SS45-1	AD21SS45-15	0.52mm	0.82mm	12 pcs
22	Silver	45°	Single Luer Lock	AD22SS45-1/2	AD22SS45-1	AD22SS45-15	0.42mm	0.72mm	12 pcs
23	Silver	45°	Single Luer Lock	AD23SS45-1/2	AD23SS45-1	AD23SS45-15	0.34mm	0.64mm	12 pcs
24	Silver	45°	Single Luer Lock	AD24SS45-1/2	AD24SS45-1	AD24SS45-15	0.31mm	0.56mm	12 pcs
25	Silver	45°	Single Luer Lock	AD25SS45-1/2	AD25SS45-1	AD25SS45-15	0.26mm	0.52mm	12 pcs
26	Silver	45°	Single Luer Lock	AD26SS45-1/2	AD26SS45-1	AD26SS45-15	0.25mm	0.46mm	12 pcs
27	Silver	45°	Single Luer Lock	AD27SS45-1/2	AD27SS45-1	AD27SS45-15	0.21mm	0.42mm	12 pcs
28	Silver	45°	Single Luer Lock	AD28SS45-1/2	AD28SS45-1	AD28SS45-15	0.18mm	0.38mm	12 pcs
30	Silver	45°	Single Luer Lock	AD30SS45-1/2	AD30SS45-1	AD30SS45-15	0.16mm	0.31mm	12 pcs
32	Silver	45°	Single Luer Lock	AD32SS45-1/2	AD32SS45-1	n/a	0.12mm	0.25mm	12 pcs
34	Silver	45°	Single Luer Lock	AD34SS45-1/2	AD34SS45-1	n/a	0.08mm	0.21mm	12 pcs

For the full website range, click [here](#)

ADSS Series 90° Bend Angled Tips

Nickel Plated Brass Luer Lock Hub to Stainless Steel Bent Blunt End



AD Series All Metal Blunt End 90° Angled Tips

Materials:	Aluminium Hub, Stainless Steel Tube
Attachment:	Luer Lock Thread (Single-Helix)
Flow Pattern:	90°
Maximum Pressure:	100 PSI
Tube Length:	0.50", 1.0", 1.5"
Tube Outlet:	Blunt-End
Pack Sizes:	12 Pieces
Details:	Industrial Grade, Silicone Free
Commodity Code:	90289090
Brand:	Adhesive Dispensing Ltd



Our ADSS needle series consist of a nickel plated brass luer lock hub welded to a stainless steel blunt end tube. This high quality line of dispensing needles is burr-free, and electro-polished shaft for unobstructed and consistent material flow. Dispensing tips are designed to work with standard syringes and fittings. These tips are fully compatible with most low, medium and high viscosity fluids, adhesives, inks, pastes, gels and lubricant. With a 90° bend angled longer tube. For reaching into more difficult areas.

Enhanced Flow Design for Optimal Performance

The all metal tips feature an advanced tapered internal design, where the stainless steel tube seamlessly integrates with the hub, minimizing back pressure and flow restriction.

- ✓ Lower pressure requirement for smooth dispensing with inner hub design
- ✓ Unobstructed material flow ensures efficiency and precision
- ✓ No protrusions inside the hub - guaranteeing consistent dispensing

Wide Range of Sizes & Configurations

Our all metal bent series blunt tips are available in:

- Gauge sizes: 14 to 34 (1.64mm ID to 0.08mm ID)
- Tube lengths: 0.50" (12.7mm), 1.0" (25.4mm), 1.5" (38.1mm)
- Metal construction to protect against aggressive solvents and chemicals

Reliable Supply & Fast Global Delivery

- ✓ Pack sizes: Securely sealed boxes of 12 Pieces
- ✓ Batch-coded for full traceability
- ✓ Available for fast delivery worldwide

All-metal dispensing tips can be used with most materials including UV cure adhesives.



Suitable for dispensing:

- Adhesives & Glues
- Flowable Silicones
- Primers & Activators
- Solder Pastes & Fluxes
- Braze Pastes & Fluxes
- Chemicals
- UV Cure Adhesives
- Solvents
- Lubricants & Grease
- Many more...

Gauge Size	Colour	Connection	Angle Bend	0.5 Long	1" Long	1.5" Long	Tube ID	Tube OD	Pack Size
10	Silver	Single Luer Lock	90°	AD10SS90-1/2	AD10SS90-1	AD10SS90-15	2.80mm	3.50mm	12 pcs
11	Silver	Single Luer Lock	90°	AD11SS90-1/2	AD11SS90-1	AD11SS90-15	2.40mm	3.10mm	12 pcs
12	Silver	Single Luer Lock	90°	AD12SS90-1/2	AD12SS90-1	AD12SS90-15	2.27mm	2.77mm	12 pcs
13	Silver	Single Luer Lock	90°	AD13SS90-1/2	AD13SS90-1	AD13SS90-15	1.94mm	2.40mm	12 pcs
14	Silver	Single Luer Lock	90°	AD14SS90-1/2	AD14SS90-1	AD14SS90-15	1.64mm	2.10mm	12 pcs
15	Silver	Single Luer Lock	90°	AD15SS90-1/2	AD15SS90-1	AD15SS90-15	1.43mm	1.83mm	12 pcs
16	Silver	Single Luer Lock	90°	AD16SS90-1/2	AD16SS90-1	AD16SS90-15	1.25mm	1.65mm	12 pcs
17	Silver	Single Luer Lock	90°	AD17SS90-1/2	AD17SS90-1	AD17SS90-15	1.11mm	1.29mm	12 pcs
18	Silver	Single Luer Lock	90°	AD18SS90-1/2	AD18SS90-1	AD18SS90-15	0.92mm	1.28mm	12 pcs
19	Silver	Single Luer Lock	90°	AD19SS90-1/2	AD19SS90-1	AD19SS90-15	0.72mm	1.08mm	12 pcs
20	Silver	Single Luer Lock	90°	AD20SS90-1/2	AD20SS90-1	AD20SS90-15	0.61mm	0.91mm	12 pcs
21	Silver	Single Luer Lock	90°	AD21SS90-1/2	AD21SS90-1	AD21SS90-15	0.52mm	0.82mm	12 pcs
22	Silver	Single Luer Lock	90°	AD22SS90-1/2	AD22SS90-1	AD22SS90-15	0.42mm	0.72mm	12 pcs
23	Silver	Single Luer Lock	90°	AD23SS90-1/2	AD23SS90-1	AD23SS90-15	0.34mm	0.64mm	12 pcs
24	Silver	Single Luer Lock	90°	AD24SS90-1/2	AD24SS90-1	AD24SS90-15	0.31mm	0.56mm	12 pcs
25	Silver	Single Luer Lock	90°	AD25SS90-1/2	AD25SS90-1	AD25SS90-15	0.26mm	0.52mm	12 pcs
26	Silver	Single Luer Lock	90°	AD26SS90-1/2	AD26SS90-1	AD26SS90-15	0.25mm	0.46mm	12 pcs
27	Silver	Single Luer Lock	90°	AD27SS90-1/2	AD27SS90-1	AD27SS90-15	0.21mm	0.42mm	12 pcs
28	Silver	Single Luer Lock	90°	AD28SS90-1/2	AD28SS90-1	AD28SS90-15	0.18mm	0.38mm	12 pcs
30	Silver	Single Luer Lock	90°	AD30SS90-1/2	AD30SS90-1	AD30SS90-15	0.16mm	0.31mm	12 pcs
32	Silver	Single Luer Lock	90°	AD32SS90-1/2	AD32SS90-1	n/a	0.12mm	0.25mm	12 pcs
34	Silver	Single Luer Lock	90°	AD34SS90-1/2	AD34SS90-1	n/a	0.08mm	0.21mm	12 pcs

For the full website range, click [here](#)

Dual Tube All-Metal High Precision Tips

Nickel Plated Brass Luer Lock Hub to Stainless Steel Blunt End Tubes



AD Series All Metal Blunt End Tips Dual Tubes

Materials:	Aluminium Hub, Stainless Steel Tube
Attachment:	Luer Lock Thread (Single-Helix)
Flow Pattern:	Straight
Maximum Pressure:	100 PSI
Tube Length:	0.25", 0.50", 1.0", 1.5"
Tubes:	2 In-Line Position
Tube Outlet:	Blunt-End
Pack Sizes:	12 Pieces
Details:	Industrial Grade, Silicone Free
Commodity Code:	90289090
Brand:	Adhesive Dispensing Ltd



Our DSS needle series consist of a nickel plated brass luer lock hub welded to dual stainless steel blunt end tubes. This high quality line of dispensing needles is burr-free, and electro-polished shaft for unobstructed and consistent material flow. Dispensing tips are designed to work with standard syringes and fittings. These tips are fully compatible with most low, medium and high viscosity fluids, adhesives, inks, pastes, gels and lubricant. Twin tubes for applications requiring this unique feature.

Enhanced Flow Design for Optimal Performance

The all metal tips feature an advanced tapered internal design, where the stainless steel tubes seamlessly integrate with the hub, minimizing back pressure and flow restriction.

- ✓ Lower pressure requirement for smooth dispensing with inner hub design
- ✓ Unobstructed material flow ensures efficiency and precision
- ✓ No protrusions inside the hub - guaranteeing consistent dispensing

Wide Range of Sizes & Configurations

Our all metal series dual blunt tips are available in:

- Gauge sizes: 14 to 30 (1.64mm ID to 0.16mm ID)
- Tube lengths: 0.25" (6.35mm), 0.50" (12.7mm), 1.0" (25.4mm), 1.5" (38.1mm)
- Metal construction to protect against aggressive solvents and chemicals

Reliable Supply & Fast Global Delivery

- ✓ Pack sizes: Securely sealed boxes of 12 Pieces
- ✓ Batch-coded for full traceability
- ✓ Available for fast delivery worldwide

All-metal dispensing tips can be used with most materials including UV cure adhesives.



Suitable for dispensing:

- Adhesives & Glues
- Flowable Silicones
- Primers & Activators
- Solder Pastes & Fluxes
- Braze Pastes & Fluxes
- Chemicals
- UV Cure Adhesives
- Solvents
- Lubricants & Grease
- Many more...

Gauge Size	Colour	Connection	No. of Tubes	0.25" Long	0.5 Long	1" Long	1.5" Long	Tube ID	Tube OD	Pack Size
14	Silver	Single Luer Lock	2	AD14DSS-1/4	AD14DSS-1/2	AD14DSS-1	AD14DSS-15	1.64mm	2.10mm	12 pcs
15	Silver	Single Luer Lock	2	AD15DSS-1/4	AD15DSS-1/2	AD15DSS-1	AD15DSS-15	1.43mm	1.83mm	12 pcs
16	Silver	Single Luer Lock	2	AD16DSS-1/4	AD16DSS-1/2	AD16DSS-1	AD16DSS-15	1.25mm	1.65mm	12 pcs
17	Silver	Single Luer Lock	2	AD17DSS-1/4	AD17DSS-1/2	AD17DSS-1	AD17DSS-15	1.11mm	1.29mm	12 pcs
18	Silver	Single Luer Lock	2	AD18DSS-1/4	AD18DSS-1/2	AD18DSS-1	AD18DSS-15	0.92mm	1.28mm	12 pcs
19	Silver	Single Luer Lock	2	AD19DSS-1/4	AD19DSS-1/2	AD19DSS-1	AD19DSS-15	0.72mm	1.08mm	12 pcs
20	Silver	Single Luer Lock	2	AD20DSS-1/4	AD20DSS-1/2	AD20DSS-1	AD20DSS-15	0.61mm	0.91mm	12 pcs
21	Silver	Single Luer Lock	2	AD21DSS-1/4	AD21DSS-1/2	AD21DSS-1	AD21DSS-15	0.52mm	0.82mm	12 pcs
22	Silver	Single Luer Lock	2	AD22DSS-1/4	AD22DSS-1/2	AD22DSS-1	AD22DSS-15	0.42mm	0.72mm	12 pcs
23	Silver	Single Luer Lock	2	AD23DSS-1/4	AD23DSS-1/2	AD23DSS-1	AD23DSS-15	0.34mm	0.64mm	12 pcs
24	Silver	Single Luer Lock	2	AD24DSS-1/4	AD24DSS-1/2	AD24DSS-1	AD24DSS-15	0.31mm	0.56mm	12 pcs
25	Silver	Single Luer Lock	2	AD25DSS-1/4	AD25DSS-1/2	AD25DSS-1	AD25DSS-15	0.26mm	0.52mm	12 pcs
26	Silver	Single Luer Lock	2	AD26DSS-1/4	AD26DSS-1/2	AD26DSS-1	n/a	0.25mm	0.46mm	12 pcs
27	Silver	Single Luer Lock	2	AD27DSS-1/4	AD27DSS-1/2	AD27DSS-1	n/a	0.21mm	0.42mm	12 pcs
28	Silver	Single Luer Lock	2	AD28DSS-1/4	AD28DSS-1/2	AD28DSS-1	n/a	0.18mm	0.35mm	12 pcs
30	Silver	Single Luer Lock	2	AD30DSS-1/4	AD30DSS-1/2	AD30DSS-1	n/a	0.16mm	0.31mm	12 pcs

For the full website range, click [here](#)

Triple Tube All-Metal High Precision Tips

Nickel Plated Brass Luer Lock Hub to Stainless Steel Blunt End Tubes



AD Series All Metal Blunt End Tips Triple Tubes

Materials:	Aluminium Hub, Stainless Steel Tube
Attachment:	Luer Lock Thread (Single-Helix)
Flow Pattern:	Straight
Maximum Pressure:	100 PSI
Tube Lengths:	0.25", 0.50", 1.0"
Tubes:	3 In-Line Position
Tube Outlet:	Blunt-End
Pack Sizes:	12 Pieces
Details:	Industrial Grade, Silicone Free
Commodity Code:	90289090
Brand:	Adhesive Dispensing Ltd



Our TSS needle series consist of a nickel plated brass luer lock hub welded to triple stainless steel blunt end tubes. This high quality line of dispensing needles is burr-free, and electro-polished shaft for unobstructed and consistent material flow. Dispensing tips are designed to work with standard syringes and fittings. These tips are fully compatible with most low, medium and high viscosity fluids, adhesives, inks, pastes, gels and lubricant. Triple tubes for applications requiring this unique feature.

Enhanced Flow Design for Optimal Performance

The all metal tips feature an advanced tapered internal design, where the stainless steel tubes seamlessly integrate with the hub, minimizing back pressure and flow restriction.

- ✓ Lower pressure requirement for smooth dispensing with inner hub design
- ✓ Unobstructed material flow ensures efficiency and precision
- ✓ No protrusions inside the hub - guaranteeing consistent dispensing

Wide Range of Sizes & Configurations

Our all metal triple series blunt tips are available in:

- Gauge sizes: 15 to 30 (1.43mm ID to 0.16mm ID)
- Tube lengths: 0.25" (6.35mm), 0.50" (12.7mm), 1.0" (25.4mm)
- Metal construction to protect against aggressive solvents and chemicals

Reliable Supply & Fast Global Delivery

- ✓ Pack sizes: Securely sealed boxes of 12 Pieces
- ✓ Batch-coded for full traceability
- ✓ Available for fast delivery worldwide



Suitable for dispensing:

- Adhesives & Glues
- Flowable Silicones
- Primers & Activators
- Solder Pastes & Fluxes
- Braze Pastes & Fluxes
- Chemicals
- UV Cure Adhesives
- Solvents
- Lubricants & Grease
- Many more...

Gauge Size	Colour	Connection	No. of Tubes	0.25" Long	0.5 Long	1" Long	Tube ID	Tube OD	Pack Size
15	Silver	Single Luer Lock	3	n/a	AD15TSS-1/2	n/a	1.43mm	1.83mm	12 pcs
18	Silver	Single Luer Lock	3	AD18TSS-1/4	AD18TSS-1/2	AD18TSS-1	0.92mm	1.28mm	12 pcs
19	Silver	Single Luer Lock	3	AD19TSS-1/4	AD19TSS-1/2	AD19TSS-1	0.72mm	1.08mm	12 pcs
20	Silver	Single Luer Lock	3	AD20TSS-1/4	AD20TSS-1/2	AD20TSS-1	0.61mm	0.91mm	12 pcs
21	Silver	Single Luer Lock	3	AD21TSS-1/4	AD21TSS-1/2	AD21TSS-1	0.52mm	0.82mm	12 pcs
22	Silver	Single Luer Lock	3	AD22TSS-1/4	AD22TSS-1/2	AD22TSS-1	0.42mm	0.72mm	12 pcs
23	Silver	Single Luer Lock	3	AD23TSS-1/4	AD23TSS-1/2	AD23TSS-1	0.34mm	0.64mm	12 pcs
24	Silver	Single Luer Lock	3	AD24TSS-1/4	AD24TSS-1/2	AD24TSS-1	0.31mm	0.56mm	12 pcs
25	Silver	Single Luer Lock	3	AD25TSS-1/4	AD25TSS-1/2	AD25TSS-1	0.26mm	0.52mm	12 pcs
26	Silver	Single Luer Lock	3	AD26TSS-1/4	AD26TSS-1/2	AD26TSS-1	0.25mm	0.46mm	12 pcs
27	Silver	Single Luer Lock	3	AD27TSS-1/4	AD27TSS-1/2	AD27TSS-1	0.21mm	0.42mm	12 pcs
28	Silver	Single Luer Lock	3	AD28TSS-1/4	AD28TSS-1/2	AD28TSS-1	0.18mm	0.35mm	12 pcs
30	Silver	Single Luer Lock	3	AD30TSS-1/4	AD30TSS-1/2	AD30TSS-1	0.16mm	0.31mm	12 pcs

For the full website range, click [here](#)

Triple Tube Triangle All-Metal High Precision 0.5" Long Tips Nickel Plated Brass Luer Lock Hub to Stainless Steel Blunt End Tubes



AD Series All Metal Blunt End Tips 0.50" Long Triple Tubes

Materials:	Aluminium Hub, Stainless Steel Tube
Attachment:	Luer Lock Thread (Single-Helix)
Flow Pattern:	Straight
Maximum Pressure:	100 PSI
Tube Length:	0.50" - 12.7mm
Tubes:	3 Triangle Position
Tube Outlet:	Blunt-End
Pack Sizes:	12 Pieces
Details:	Industrial Grade, Silicone Free
Commodity Code:	90289090
Brand:	Adhesive Dispensing Ltd



Our TTSS needle series consist of a nickel plated brass luer lock hub welded to triple stainless steel blunt end tubes. This high quality line of dispensing needles is burr-free, and electro-polished shaft for unobstructed and consistent material flow. Dispensing tips are designed to work with standard syringes and fittings. These tips are fully compatible with most low, medium and high viscosity fluids, adhesives, inks, pastes, gels and lubricant. Tube length of 0.5 inch. Triple tubes for applications requiring this feature.

Enhanced Flow Design for Optimal Performance

The all metal tips feature an advanced tapered internal design, where the stainless steel tubes seamlessly integrate with the hub, minimizing back pressure and flow restriction.

- ✓ Lower pressure requirement for smooth dispensing with inner hub design
- ✓ Unobstructed material flow ensures efficiency and precision
- ✓ No protrusions inside the hub - guaranteeing consistent dispensing

Wide Range of Sizes & Configurations

Our all metal triple series blunt tips are available in:

- Gauge sizes: 16 to 30 (1.43mm ID to 0.16mm ID)
- Tube length: 0.50" (12.7mm)
- Metal construction to protect against aggressive solvents and chemicals

Reliable Supply & Fast Global Delivery

- ✓ Pack sizes: Securely sealed boxes of 12 Pieces
- ✓ Batch-coded for full traceability
- ✓ Available for fast delivery worldwide



Suitable for dispensing:

- Adhesives & Glues
- Flowable Silicones
- Primers & Activators
- Solder Pastes & Fluxes
- Braze Pastes & Fluxes
- Chemicals
- UV Cure Adhesives
- Solvents
- Lubricants & Grease
- Many more...

Gauge Size	Colour	Connection	No. of Tubes	Tube Layout	Connection	0.5 Long	Tube ID	Tube OD	Pack Size
16	Silver	Single Luer Lock	3	Triangle Shape	Single Luer Lock	AD16TTSS-1/2	1.43mm	1.83mm	12 pcs
17	Silver	Single Luer Lock	3	Triangle Shape	Single Luer Lock	AD17TTSS-1/2	1.11mm	1.19mm	12 pcs
18	Silver	Single Luer Lock	3	Triangle Shape	Single Luer Lock	AD18TTSS-1/2	0.92mm	1.28mm	12 pcs
19	Silver	Single Luer Lock	3	Triangle Shape	Single Luer Lock	AD19TTSS-1/2	0.72mm	1.08mm	12 pcs
20	Silver	Single Luer Lock	3	Triangle Shape	Single Luer Lock	AD20TTSS-1/2	0.61mm	0.91mm	12 pcs
21	Silver	Single Luer Lock	3	Triangle Shape	Single Luer Lock	AD21TTSS-1/2	0.52mm	0.82mm	12 pcs
22	Silver	Single Luer Lock	3	Triangle Shape	Single Luer Lock	AD22TTSS-1/2	0.42mm	0.72mm	12 pcs
23	Silver	Single Luer Lock	3	Triangle Shape	Single Luer Lock	AD23TTSS-1/2	0.34mm	0.64mm	12 pcs
24	Silver	Single Luer Lock	3	Triangle Shape	Single Luer Lock	AD24TTSS-1/2	0.31mm	0.56mm	12 pcs
25	Silver	Single Luer Lock	3	Triangle Shape	Single Luer Lock	AD25TTSS-1/2	0.26mm	0.52mm	12 pcs
26	Silver	Single Luer Lock	3	Triangle Shape	Single Luer Lock	AD26TTSS-1/2	0.25mm	0.46mm	12 pcs
27	Silver	Single Luer Lock	3	Triangle Shape	Single Luer Lock	AD27TTSS-1/2	0.21mm	0.42mm	12 pcs
28	Silver	Single Luer Lock	3	Triangle Shape	Single Luer Lock	AD28TTSS-1/2	0.18mm	0.35mm	12 pcs
30	Silver	Single Luer Lock	3	Triangle Shape	Single Luer Lock	AD30TTSS-1/2	0.16mm	0.31mm	12 pcs

For the full website range, click [here](#)

Quad Tube All-Metal High Precision Tips

Nickel Plated Brass Luer Lock Hub to Stainless Steel Blunt End Tube



AD Series All Metal Blunt End Tips Quad Tubes

Materials:	Aluminium Hub, Stainless Steel Tube
Attachment:	Luer Lock Thread (Single-Helix)
Flow Pattern:	Straight
Maximum Pressure:	100 PSI
Tube Length:	0.25", 0.50", 1.0"
Tubes:	4
Pack Sizes:	12 Pieces
Details:	Industrial Grade, Silicone Free
Commodity Code:	90289090
Brand:	Adhesive Dispensing Ltd



Our QSS needle series consist of a nickel plated brass luer lock hub welded to quad stainless steel blunt end tubes. This high quality line of dispensing needles is burr-free, and electro-polished shaft for unobstructed and consistent material flow. Dispensing tips are designed to work with standard syringes and fittings. These tips are fully compatible with most low, medium and high viscosity fluids, adhesives, inks, pastes, gels and lubricant. Quad tubes for applications requiring this unique feature.

Enhanced Flow Design for Optimal Performance

The all metal tips feature an advanced tapered internal design, where the stainless steel tubes seamlessly integrate with the hub, minimizing back pressure and flow restriction.

- ✓ Lower pressure requirement for smooth dispensing with inner hub design
- ✓ Unobstructed material flow ensures efficiency and precision
- ✓ No protrusions inside the hub - guaranteeing consistent dispensing

Wide Range of Sizes & Configurations

Our all metal series quad blunt tips are available in:

- Gauge sizes: 20 to 30 (0.61mm ID to 0.16mm ID)
- Tube lengths: 0.25" (6.35mm), 0.50" (12.7mm), 1.0" (25.4mm)
- Metal construction to protect against aggressive solvents and chemicals

Reliable Supply & Fast Global Delivery

- ✓ Pack sizes: Securely sealed boxes of 12 Pieces
- ✓ Batch-coded for full traceability
- ✓ Available for fast delivery worldwide



Suitable for dispensing:

- Adhesives & Glues
- Flowable Silicones
- Primers & Activators
- Solder Pastes & Fluxes
- Braze Pastes & Fluxes
- Chemicals
- UV Cure Adhesives
- Solvents
- Lubricants & Grease
- Many more...

Gauge Size	Colour	Connection	No. of Tubes	0.25" Long	0.5 Long	1" Long	Tube ID	Tube OD	Pack Size
20	Silver	Single Luer Lock	3	AD20QSS-1/4	AD20QSS-1/2	AD20QSS-1	0.61mm	0.91mm	12 pcs
21	Silver	Single Luer Lock	3	AD21QSS-1/4	AD21QSS-1/2	AD21QSS-1	0.52mm	0.82mm	12 pcs
22	Silver	Single Luer Lock	3	AD22QSS-1/4	AD22QSS-1/2	AD22QSS-1	0.42mm	0.72mm	12 pcs
23	Silver	Single Luer Lock	3	AD23QSS-1/4	AD23QSS-1/2	AD23QSS-1	0.34mm	0.64mm	12 pcs
24	Silver	Single Luer Lock	3	AD24QSS-1/4	AD24QSS-1/2	AD24QSS-1	0.31mm	0.56mm	12 pcs
25	Silver	Single Luer Lock	3	AD25QSS-1/4	AD25QSS-1/2	AD25QSS-1	0.26mm	0.52mm	12 pcs
26	Silver	Single Luer Lock	3	AD26QSS-1/4	AD26QSS-1/2	AD26QSS-1	0.25mm	0.46mm	12 pcs
27	Silver	Single Luer Lock	3	AD27QSS-1/4	AD27QSS-1/2	AD27QSS-1	0.21mm	0.42mm	12 pcs
28	Silver	Single Luer Lock	3	AD28QSS-1/4	AD28QSS-1/2	AD28QSS-1	0.18mm	0.35mm	12 pcs
30	Silver	Single Luer Lock	3	AD30QSS-1/4	AD30QSS-1/2	AD30QSS-1	0.16mm	0.31mm	12 pcs

For the full website range, click [here](#)

Oval Flat End All-Metal High Precision Tips

Nickel Plated Brass Luer Lock Hub to Stainless Steel Blunt End Tube



AD Series All Metal Oval Flat End Tips 0.25" Long Tubes

Materials: Aluminium Hub, Stainless Steel Tube
 Attachment: Luer Lock Thread (Single-Helix)
 Flow Pattern: Straight
 Maximum Pressure: 100 PSI
 Tube Length: 0.25", 0.50", 1.0", 1.5"
 Tubes: 1
 Pack Sizes: 12 Pieces
 Details: Industrial Grade, Silicone Free
 Commodity Code: 90289090
 Brand: Adhesive Dispensing Ltd



Our SSVL series consist of a nickel plated brass luer lock hub welded to dual stainless steel blunt end oval shape tubes. This high quality line of dispensing needles is burr-free, and electro-polished shaft for unobstructed and consistent material flow. Dispensing tips are designed to work with standard syringes and fittings. These tips are fully compatible with most low, medium and high viscosity fluids, adhesives, inks, pastes, gels and lubricant. Tube length of 0.25 inch, 0.50", 1.0" or 1.5". Oval flat end tube tips provide a thinner and wider spread deposit of material.

Enhanced Flow Design for Optimal Performance

The all metal tips feature an advanced tapered internal design, where the stainless steel tube seamlessly integrates with the hub, minimizing back pressure and flow restriction.

- ✓ Lower pressure requirement for smooth dispensing with inner hub design
- ✓ Unobstructed material flow ensures efficiency and precision
- ✓ No protrusions inside the hub - guaranteeing consistent dispensing

Wide Range of Sizes & Configurations

Our all metal series oval blunt tips are available in:

- Gauge sizes: 8 to 26 (3.28mm ID to 0.25mm ID)
- Tube lengths: 0.25" (6.35mm), 0.50" (12.7mm), 1.0" (25.4mm), 1.5" (38.1mm)
- Metal construction to protect against aggressive solvents and chemicals

Reliable Supply & Fast Global Delivery

- ✓ Pack sizes: Securely sealed boxes of 12 Pieces
- ✓ Batch-coded for full traceability
- ✓ Available for fast delivery worldwide



Suitable for dispensing:

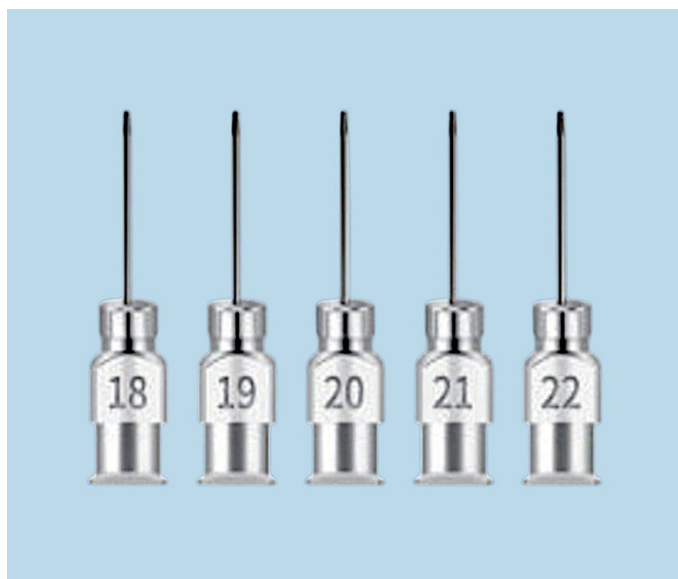
- Adhesives & Glues
- Flowable Silicones
- Primers & Activators
- Solder Pastes & Fluxes
- Braze Pastes & Fluxes
- Chemicals
- UV Cure Adhesives
- Solvents
- Lubricants & Grease
- Many more...

Gauge Size	Colour	Connection	No. of Tubes	0.25" Long	0.5 Long	1" Long	1.5" Long	Tube ID	Tube OD	Pack Size
8	Silver	Single Luer Lock	1	AD8SSVL-1/4	AD8SSVL-1/2	AD8SSVL-1	AD8SSVL-15	3.30mm	4.00mm	12 pcs
10	Silver	Single Luer Lock	1	AD10SSVL-1/4	AD10SSVL-1/2	AD10SSVL-1	AD10SSVL-15	2.80mm	3.50mm	12 pcs
11	Silver	Single Luer Lock	1	AD11SSVL-1/4	AD11SSVL-1/2	AD11SSVL-1	AD11SSVL-15	2.40mm	3.10mm	12 pcs
12	Silver	Single Luer Lock	1	AD12SSVL-1/4	AD12SSVL-1/2	AD12SSVL-1	AD12SSVL-15	2.27mm	2.77mm	12 pcs
13	Silver	Single Luer Lock	1	AD13SSVL-1/4	AD13SSVL-1/2	AD13SSVL-1	AD13SSVL-15	1.94..	2.40mm	12 pcs
14	Silver	Single Luer Lock	1	AD14SSVL-1/4	AD14SSVL-1/2	AD14SSVL-1	AD14SSVL-15	1.64mm	2.10mm	12 pcs
15	Silver	Single Luer Lock	1	AD15SSVL-1/4	AD15SSVL-1/2	AD15SSVL-1	AD15SSVL-15	1.43mm	1.83mm	12 pcs
16	Silver	Single Luer Lock	1	AD16SSVL-1/4	AD16SSVL-1/2	AD16SSVL-1	AD16SSVL-15	1.25mm	1.65mm	12 pcs
17	Silver	Single Luer Lock	1	AD17SSVL-1/4	AD17SSVL-1/2	AD17SSVL-1	AD17SSVL-15	1.11mm	1.29mm	12 pcs
18	Silver	Single Luer Lock	1	AD18SSVL-1/4	AD18SSVL-1/2	AD18SSVL-1	AD18SSVL-15	0.92mm	1.28mm	12 pcs
19	Silver	Single Luer Lock	1	AD19SSVL-1/4	AD19SSVL-1/2	AD19SSVL-1	AD19SSVL-15	0.72mm	1.08mm	12 pcs
20	Silver	Single Luer Lock	1	AD20SSVL-1/4	AD20SSVL-1/2	AD20SSVL-1	AD20SSVL-15	0.61mm	0.91mm	12 pcs
21	Silver	Single Luer Lock	1	AD21SSVL-1/4	AD21SSVL-1/2	AD21SSVL-1	AD21SSVL-15	0.52mm	0.82mm	12 pcs
22	Silver	Single Luer Lock	1	AD22SSVL-1/4	AD22SSVL-1/2	AD22SSVL-1	AD22SSVL-15	0.42mm	0.72mm	12 pcs
23	Silver	Single Luer Lock	1	AD23SSVL-1/4	AD23SSVL-1/2	AD23SSVL-1	AD23SSVL-15	0.34mm	0.64mm	12 pcs
24	Silver	Single Luer Lock	1	AD24SSVL-1/4	AD24SSVL-1/2	AD24SSVL-1	AD24SSVL-15	0.31mm	0.56mm	12 pcs
25	Silver	Single Luer Lock	1	AD25SSVL-1/4	AD25SSVL-1/2	AD25SSVL-1	AD25SSVL-15	0.26mm	0.52mm	12 pcs
26	Silver	Single Luer Lock	1	AD26SSVL-1/4	AD26SSVL-1/2	AD26SSVL-1	AD26SSVL-15	0.25mm	0.46mm	12 pcs

For the full website range, click [here](#)

Chamfered End All-Metal High Precision Tips

Nickel Plated Brass Luer Lock Hub to Stainless Steel Blunt End Tube



AD Series All Metal Chamfered End Tips 0.

Materials:	Aluminium Hub, Stainless Steel Tube
Attachment:	Luer Lock Thread (Single-Helix)
Flow Pattern:	Straight
Maximum Pressure:	100 PSI
Tube Length:	0.25", 0.50"
Tubes:	1
Pack Sizes:	12 Pieces
Details:	Industrial Grade, Silicone Free
Commodity Code:	90289090
Brand:	Adhesive Dispensing Ltd



Our CHT needle series consist of a nickel plated brass luer lock hub welded to stainless steel chamfered end tube. This high quality line of dispensing needles is burr-free, and electro-polished shaft for unobstructed and consistent material flow. Dispensing tips are designed to work with standard syringes and fittings. These tips are fully compatible with most low, medium and high viscosity fluids, adhesives, inks, pastes, gels and lubricant. Chamfered tube tips are for dispensing solvents, many other liquids as well as difficult to dispense adhesives or materials.

Enhanced Flow Design for Optimal Performance

The all metal tips feature an advanced tapered internal design, where the stainless steel tube seamlessly integrates with the hub, minimizing back pressure and flow restriction.

- ✓ Lower pressure requirement for smooth dispensing with inner hub design
- ✓ Unobstructed material flow ensures efficiency and precision
- ✓ No protrusions inside the hub - guaranteeing consistent dispensing

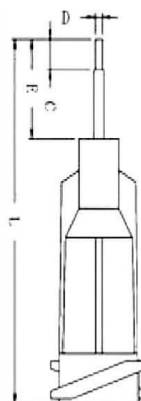
Wide Range of Sizes & Configurations

Our all metal series chamfered end tips are available in:

- Gauge sizes: 18 to 30 (0.92mm ID to 0.16mm ID)
- Tube lengths: 0.25" (6.35mm), 0.50" (12.7mm), 1.0" (25.4mm), 1.5" (38.1mm)
- Metal construction to protect against aggressive solvents and chemicals

Reliable Supply & Fast Global Delivery

- ✓ Pack sizes: Securely sealed boxes of 12 Pieces
- ✓ Batch-coded for full traceability
- ✓ Available for fast delivery worldwide



Suitable for dispensing:

- Adhesives & Glues
- Flowable Silicones
- Primers & Activators
- Solder Pastes & Fluxes
- Braze Pastes & Fluxes
- Chemicals
- UV Cure Adhesives
- Solvents
- Lubricants & Grease
- Many more...

Gauge Size	Colour	Connection	No. of Tubes	0.25" Long	0.5 Long	Tube ID	Tube OD	Pack Size
18	Silver	Single Luer Lock	1	CHT18025SS	CHT18050SS	0.92mm	1.28mm	12 pcs
19	Silver	Single Luer Lock	1	CHT19025SS	CHT19050SS	0.72mm	1.08mm	12 pcs
20	Silver	Single Luer Lock	1	CHT20025SS	CHT20050SS	0.61mm	0.91mm	12 pcs
21	Silver	Single Luer Lock	1	CHT21025SS	CHT21050SS	0.52mm	0.82mm	12 pcs
22	Silver	Single Luer Lock	1	CHT22025SS	CHT22050SS	0.42mm	0.72mm	12 pcs
23	Silver	Single Luer Lock	1	CHT23025SS	CHT23050SS	0.34mm	0.64mm	12 pcs
24	Silver	Single Luer Lock	1	CHT24025SS	CHT24050SS	0.31mm	0.56mm	12 pcs
25	Silver	Single Luer Lock	1	CHT25025SS	CHT25050SS	0.26mm	0.52mm	12 pcs
26	Silver	Single Luer Lock	1	CHT26025SS	CHT26050SS	0.25mm	0.46mm	12 pcs
27	Silver	Single Luer Lock	1	CHT27025SS	CHT27050SS	0.21mm	0.42mm	12 pcs
28	Silver	Single Luer Lock	1	CHT28025SS	CHT28050SS	0.18mm	0.25mm	12 pcs
30	Silver	Single Luer Lock	1	CHT30025SS	CHT30050SS	0.16mm	0.31mm	12 pcs

For the full website range, click [here](#)

MMT High Precision Taper Tips

Straight Stainless Steel Luer Lock Dispensing Tip



MMT Series Smooth Flow Tapered Tips Stainless Steel

Material: Stainless Steel
 Attachment: Luer Lock Thread (Single-Helix)
 Flow Pattern: Straight
 Maximum Pressure: 100 PSI
 Total Length: 0.72" - 18.25mm
 Pack Size: Per Tip
 Details: Industrial Grade, Silicone Free
 Commodity Code: 90289090
 Brand: Adhesive Dispensing Ltd



Optimise precision and efficiency with our industrial-grade stainless-steel tapered dispensing tips. Designed for seamless use with syringe barrels, dispense bottles, valves, and robots. Built for reliability, all tips are certified silicone-free and safe for air pressures up to 100 PSI. The luer-lock single (MMT) secure attachment ensures a twist-on, leak-free dispensing performance.

Dispense nozzles for high accuracy micro-dot dispensing. MMT tapered tip nozzles have a super low resistance molecular fluid flow. Significant cost savings over inferior nozzles without sacrificing placement precision or deposition accuracy.

A primary design feature of this unique luer lock dispensing nozzle is the stream-line conical fluid path which delivers substantially higher fluid flow rates and lower dispense pump back pressures, resulting in improved dispensing accuracy and component life.

The design also employs very thin rigid walls offering a larger I.D. fluid path which enables the use of smaller O.D. nozzles without sacrificing dispense rates. Additionally, the thin walls further enhance the accuracy and definition of dots, lines, or special patterns while at the same time dramatically reducing fluid stringing or tailing tendencies.

Key Features:

- ✓ Smooth Flow Tapered Design – Ideal for high-viscosity materials, enabling efficient dispensing at lower pressures.
- ✓ Safety Locking Hub – Secure, leak-free attachment with Luer-lock compatibility.
- ✓ Versatile Application – Compatible with syringe barrels, cartridges (using a tip adapter), and metering valves.
- ✓ Industrial Grade & Silicone-Free – Ensuring clean and precise dispensing for manufacturing and assembly applications.
- ✓ Reliable Performance. Designed to maintain consistent flow rates for all fluid types.
- ✓ Stainless Steel Quality. Compatible with most materials including UV cure adhesives.
- ✓ Sealed Boxes. Ensures tips are received dust free and easy to stack.
- ✓ Competitive Pricing. We constantly monitor our competitors to ensure our products offer our customers the best value.



Suitable for dispensing:

- SMT Adhesives
- Silicones & Sealants
- Primers & Activators
- Solder Pastes & Solder Fluxes
- Braze Pastes
- UV Cure Adhesives
- Paints & Inks
- Lubricants & Grease
- Many more...

Part Code	Colour	Attachment	Material	Total Length	Outlet ID	Outlet OD	Pack Size
MMT015	Silver	Single Helix Luer Lock	Stainless Steel	18.25mm	0.15mm	0.23mm	1 Piece
MMT018	Silver	Single Helix Luer Lock	Stainless Steel	18.25mm	0.18mm	0.27mm	1 Piece
MMT020	Silver	Single Helix Luer Lock	Stainless Steel	18.25mm	0.20mm	0.28mm	1 Piece
MMT023	Silver	Single Helix Luer Lock	Stainless Steel	18.25mm	0.23mm	0.29mm	1 Piece
MMT025	Silver	Single Helix Luer Lock	Stainless Steel	18.25mm	0.25mm	0.30mm	1 Piece
MMT030	Silver	Single Helix Luer Lock	Stainless Steel	18.25mm	0.30mm	0.35mm	1 Piece
MMT035	Silver	Single Helix Luer Lock	Stainless Steel	18.25mm	0.35mm	0.40mm	1 Piece
MMT040	Silver	Single Helix Luer Lock	Stainless Steel	18.25mm	0.40mm	0.50mm	1 Piece
MMT045	Silver	Single Helix Luer Lock	Stainless Steel	18.25mm	0.45mm	0.55mm	1 Piece
MMT050	Silver	Single Helix Luer Lock	Stainless Steel	18.25mm	0.50mm	0.60mm	1 Piece
MMT060	Silver	Single Helix Luer Lock	Stainless Steel	18.25mm	0.60mm	0.70mm	1 Piece
MMT070	Silver	Single Helix Luer Lock	Stainless Steel	18.25mm	0.70mm	0.80mm	1 Piece
MMT080	Silver	Single Helix Luer Lock	Stainless Steel	18.25mm	0.80mm	0.90mm	1 Piece
MMT090	Silver	Single Helix Luer Lock	Stainless Steel	18.25mm	0.90mm	1.10mm	1 Piece
MMT100	Silver	Single Helix Luer Lock	Stainless Steel	18.25mm	1.00mm	1.30mm	1 Piece
MMT110	Silver	Single Helix Luer Lock	Stainless Steel	18.25mm	1.10mm	1.40mm	1 Piece
MMT120	Silver	Single Helix Luer Lock	Stainless Steel	18.25mm	1.20mm	1.50mm	1 Piece
MMT130	Silver	Single Helix Luer Lock	Stainless Steel	18.25mm	1.30mm	1.70mm	1 Piece
MMT140	Silver	Single Helix Luer Lock	Stainless Steel	18.25mm	1.40mm	1.80mm	1 Piece

For the full website range, click [here](#)

MMTL High Precision Taper Tips

Straight Stainless Steel Luer Lock Dispensing Tip



MMTL Series Smooth Flow Tapered Tips Stainless Steel

Material:	Stainless Steel
Attachment:	Luer Lock Thread (Double-Helix)
Flow Pattern:	Straight
Maximum Pressure:	100 PSI
Total Length:	0.72" - 18.25mm
Pack Size:	Per Tip
Details:	Industrial Grade, Silicone Free
Commodity Code:	90289090
Brand:	Adhesive Dispensing Ltd



Optimise precision and efficiency with our industrial-grade stainless-steel tapered dispensing tips. Designed for seamless use with syringe barrels, dispense bottles, valves, and robots. Built for reliability, all tips are certified silicone-free and safe for air pressures up to 100 PSI. The luer-lock double helix (MMTL) secure attachment ensures a twist-on, leak-free dispensing performance.

Dispense nozzles for high accuracy micro-dot dispensing. MMTL tapered tip nozzles have a super low resistance molecular fluid flow. Significant cost savings over inferior nozzles without sacrificing placement precision or deposition accuracy.

A primary design feature of this unique luer lock dispensing nozzle is the stream-line conical fluid path which delivers substantially higher fluid flow rates and lower dispense pump back pressures, resulting in improved dispensing accuracy and component life.

The design also employs very thin rigid walls offering a larger I.D. fluid path which enables the use of smaller O.D. nozzles without sacrificing dispense rates. Additionally, the thin walls further enhance the accuracy and definition of dots, lines, or special patterns while at the same time dramatically reducing fluid stringing or tailing tendencies.

Key Features:

- ✓ Smooth Flow Tapered Design – Ideal for high-viscosity materials, enabling efficient dispensing at lower pressures.
- ✓ Safety Locking Double Helix Hub – Secure, leak-free attachment with Luer-lock compatibility.
- ✓ Versatile Application – Compatible with syringe barrels, cartridges (using a tip adapter), and metering valves.
- ✓ Industrial Grade & Silicone-Free – Ensuring clean and precise dispensing for manufacturing and assembly applications.
- ✓ Reliable Performance. Designed to maintain consistent flow rates for all fluid types.
- ✓ Stainless Steel Quality. Compatible with most materials including UV cure adhesives.
- ✓ Sealed Boxes. Ensures tips are received dust free and easy to stack.



Suitable for dispensing:
 SMT Adhesives
 Silicones & Sealants
 Primers & Activators
 Solder Pastes & Solder Fluxes
 UV Cure Adhesives
 Paints & Inks
 Lubricants & Grease

Part Code	Colour	Attachment	Material	Total Length	Outlet ID	Outlet OD	Pack Size
MMTL010	Silver	Double Helix Luer Lock	Stainless Steel	18.25mm	0.10mm	0.18mm	1 Piece
MMTL125	Silver	Double Helix Luer Lock	Stainless Steel	18.25mm	0.125mm	0.21mm	1 Piece
MMTL015	Silver	Double Helix Luer Lock	Stainless Steel	18.25mm	0.15mm	0.23mm	1 Piece
MMTL018	Silver	Double Helix Luer Lock	Stainless Steel	18.25mm	0.18mm	0.27mm	1 Piece
MMTL020	Silver	Double Helix Luer Lock	Stainless Steel	18.25mm	0.20mm	0.28mm	1 Piece
MMTL023	Silver	Double Helix Luer Lock	Stainless Steel	18.25mm	0.23mm	0.29mm	1 Piece
MMTL025	Silver	Double Helix Luer Lock	Stainless Steel	18.25mm	0.25mm	0.30mm	1 Piece
MMTL030	Silver	Double Helix Luer Lock	Stainless Steel	18.25mm	0.30mm	0.35mm	1 Piece
MMTL035	Silver	Double Helix Luer Lock	Stainless Steel	18.25mm	0.35mm	0.40mm	1 Piece
MMTL045	Silver	Double Helix Luer Lock	Stainless Steel	18.25mm	0.45mm	0.55mm	1 Piece
MMTL050	Silver	Double Helix Luer Lock	Stainless Steel	18.25mm	0.50mm	0.60mm	1 Piece
MMTL060	Silver	Double Helix Luer Lock	Stainless Steel	18.25mm	0.60mm	0.70mm	1 Piece
MMTL070	Silver	Double Helix Luer Lock	Stainless Steel	18.25mm	0.70mm	0.80mm	1 Piece
MMTL080	Silver	Double Helix Luer Lock	Stainless Steel	18.25mm	0.80mm	0.90mm	1 Piece
MMTL090	Silver	Double Helix Luer Lock	Stainless Steel	18.25mm	0.90mm	1.10mm	1 Piece
MMTL100	Silver	Double Helix Luer Lock	Stainless Steel	18.25mm	1.00mm	1.30mm	1 Piece
MMTL110	Silver	Double Helix Luer Lock	Stainless Steel	18.25mm	1.10mm	1.40mm	1 Piece
MMTL120	Silver	Double Helix Luer Lock	Stainless Steel	18.25mm	1.20mm	1.50mm	1 Piece
MMTL130	Silver	Double Helix Luer Lock	Stainless Steel	18.25mm	1.30mm	1.70mm	1 Piece
MMTL140	Silver	Double Helix Luer Lock	Stainless Steel	18.25mm	1.40mm	1.80mm	1 Piece
MMTL150	Silver	Double Helix Luer Lock	Stainless Steel	18.25mm	1.50mm	1.90mm	1 Piece
MMTL160	Silver	Double Helix Luer Lock	Stainless Steel	18.25mm	1.60mm	2.00mm	1 Piece
MMTL170	Silver	Double Helix Luer Lock	Stainless Steel	18.25mm	1.70mm	2.10mm	1 Piece
MMTL180	Silver	Double Helix Luer Lock	Stainless Steel	18.25mm	1.80mm	2.20mm	1 Piece
MMTL190	Silver	Double Helix Luer Lock	Stainless Steel	18.25mm	1.90mm	2.30mm	1 Piece
MMTL200	Silver	Double Helix Luer Lock	Stainless Steel	18.25mm	2.00mm	2.40mm	1 Piece

For the full website range, click [here](#)

Dispensing Quality

High-quality plastic and metal dispensing tips that are used by the most demanding industries in the world.

Adhesive Dispensing Ltd products are accepted by the aerospace, medical device, automotive, consumer electronics and military & defence sectors.

Through months of research and refinement, testing and trial & error, Adhesive Dispensing Ltd is proud to announce our new level of quality standards for cleanliness, consistency, purity, resistance to impact, high pressure, or extreme temperatures, for all our plastic packaging products.

Our focus is not on meeting standards set by local, national, or global authorities. Our focus is on exceeding your standards. And continuing to raise our own.

ADHESIVE DISPENSING LTD TIP STANDARDS 2026

When you purchase from our line of high-quality dispensing luer lock tips, you can rest assured each piece was produced while adhering to the **ADHESIVE DISPENSING LTD TIP STANDARDS**:

- Meet or exceed industry standards for repeatability
- Meet or exceed industry standards for UV blockage
- Meet or exceed global ROHS and REACH standards
- Achieve Impact resistance two-times industry requirements
- Produced in a Silicon-free, Chloride-free environment
- Approved for operating pressures up to 100 psi/6.9 bar
- Approved for storage temperatures as low as -40 F/-40° C and as high as 100 F/38° C

Adhesive Dispensing Tip Standards require that all parts are completely free of:

- ✓ Loose Debris ✓ Cold Slugs ✓ Waviness ✓ Contamination ✓ Delamination ✓ Grease ✓ Blush ✓ Orange Peel ✓ Lubricants ✓ Flow Lines ✓ Cracking ✓ Burns
- ✓ Knit Lines ✓ Cracking ✓ Gas Marks ✓ Weld Lines ✓ Nicks/Gouges ✓ Marbling ✓ Loose Debris, Contamination ✓ Burrs

Adhesive Dispensing Ltd Precision Dispensing Tips are designed to meet the most demanding manufacturing standards. Leading edge materials and advanced engineering design make our tips unparalleled in dispensing performance.

ADHESIVE DISPENSING LTD CLEANLINESS STATEMENT

All Adhesive Dispensing Ltd tips packaging products are moulded and assembled in a controlled clean environment to ensure the highest standards of cleanliness and that our products are free of loose contaminants or debris.

INDUSTRIAL CERTIFICATION

Adhesive Dispensing Ltd certifies that our Precision Dispensing Tip Components meet or exceed ASTM and industry standards, as tested in laboratory conditions, in the following areas:

Accuracy and Repeatability – Meet or exceed the repeatability requirement for industrial dispensing use. For the highest rate of dispensing accuracy and repeatability.

Silicone and Chloride Free – Moulded or assembled in a Silicone- and Chloride-free environment to prevent contamination.

ROHS and REACH Compliant – Adhesive Dispensing Ltd takes every precaution to ensure none of our tip products contain any SVHC (Substances of Very High Concern).

Pressure Strength – Designed for operating pressures up to 100 psi (6.9 bar). All tips pass the destructive pressure burst test.

Storage Temperature – Can be stored (with no pressure applied) between -40 F° and 100 F° (-40° C - 38° C).

UV Block Capability – UV designed tip products meet or exceed industry standards for UV blockage.

Transportation – Dispensing tips are safe to transport by ground, sea, or air.

WARRANTY

Adhesive Dispensing Tip Consumable Warranty Policy

“Consumables” are primarily plastic and metal disposable parts, such as syringes, pistons, dispense tips, taper tips, cartridges, plungers, etc. and designed for single use.

Adhesive Dispensing Ltd warrants these products against dimensional issues, visual defects, or damage. Adhesive Dispensing Ltd will replace defective consumable items free of charge at its sole discretion.

Replacement of consumable parts is determined on a case-by-case basis and normally validated by return of sample parts to Adhesive Dispensing Ltd for inspection.

A Return Material Authorisation (RMA) number must be obtained before returning any goods. The customer pays for inbound freight, and Adhesive Dispensing Ltd pays for return freight of the same category for replaced consumables.

If it is determined that the products have been misused, such as using the products for purposes they were not designed for, or if there are unauthorised modifications, then the guarantee is void.

Please note: Plastic and metal consumables have a recommended “shelf life” or “use by” of two (2) years from the date of delivery. If the consumables are stored appropriately, they may be usable beyond that date. Adhesive Dispensing Ltd cannot guarantee their quality after the two-year period.

PLACING ORDERS

Our websites allow customers to place orders securely online and make payments. Account customers can login and use an official company PO number to place an order.

Once the order is made, our support team will email an acknowledgement confirming an expected shipping date. We use only tracked couriers such as DHL, FedEx or UPS.

Prices are subject to change without notice. Please check our websites for the latest pricing. We carry extensive volumes of dispensing tips but some are made to order and there can be a lead time. For urgent requirements, please phone our sales team on +44 (0) 1908 686660.

Statements, technical information and recommendations contained herein are based on tests we believe to be reliable but they are not to be construed in any manner as warranties expressed or implied. The user shall determine the suitability of the product for his intended use and the user assumes all risk and liability whatsoever in connection therewith.

HOW TO ORDER

Simply quote our part number, quantity required, your order number or reference and delivery address - it couldn't be easier.

- 1** BY TELEPHONE:
01908 686660
- 2** BY FAX:
01908 686836
- 3** FROM OUR WEBSITE:
adhesivedispensers.co.uk
- 4** BY EMAIL:
orders@adhesivedispensers.co.uk

HOURS OF BUSINESS
MONDAY TO FRIDAY 9AM TO 5.30PM

Reasons to use our dispensing components

- Industrial grade** - certified safe for use to 025 psi. Will not break when in use under pneumatic or mechanical pressure.
- Certified Silicone-Free**. Our components will not contaminate fluids placed when in use including specialist adhesives.
- Burr-free**. All blunt tips are electro-polished and produced to a high precision finish.
- Widest range** - we stock millions of parts in many different styles and an extensive range of cartridges, nozzles, mixers.
- Fast lead times**. Most products are held in stock and available within days not weeks.
- Boxed** - most of our tips are supplied in sealed boxes for easy identification and protection against contamination.
- Batch codes** - all labelled with batch codes for traceability.
- Expert support**. We recommend our products to ensure our customers receive the right solution for their application.



HOW TO PAY

We are happy to accept payment by the following methods:

CREDIT CARD

Please quote your card number, start and expiry dates and security digits together with your name, address and delivery address.



CHEQUE

Cheques for collection must be supported by a valid bank guarantee card.

ACCOUNT

Accounts may be opened within 4 hours, subject to status, following receipt of a completed account application form. Please contact our Accounts Department direct on **01908 686663** for further details.

PRICES GIVEN ARE IN POUNDS STERLING AND MAY BE SUBJECT TO CHANGE

ALL PRICES ARE SUBJECT TO VAT

Standard Terms and Conditions apply

GOODS COLLECTION

Pre-ordered goods can be collected from our Milton Keynes warehouse facility by arrangement only.



Overseas Delivery Charges

We ship goods into Europe, North and South America, Asia, Middle East, Australia and Africa. We use UPS, FedEx, DHL and Postal Services. Please contact us for specific pricing and options for all overseas shipping.

Visit our growing customer tech knowledge base for more product information, data sheets, videos and advice.

https://www.adhesivedispensing.net/kb_results.asp



Adhesive Dispensing Ltd
Solutions customers stick with...

Adhesive Dispensing Ltd
14 Clarke Road
Milton Keynes
Buckinghamshire, MK1 1LG, UK
Tel. +44 (0) 1908 686660
Fax. +44 (0) 1908 686836
orders@adhesivedispensing.com
www.adhesivedispensing.co.uk

© 2026 Adhesive Dispensing Ltd